



TRAVIS INDUSTRIES
HOUSE OF FIRE

Berkshire GSR2 Deluxe - Cheat Sheet

The Berkshire GSR2 Deluxe has several new features and characteristics that require special attention during installation and set-up. This unit uses the new GreenSmart 2 system. Refer to the owner's manual for full details.

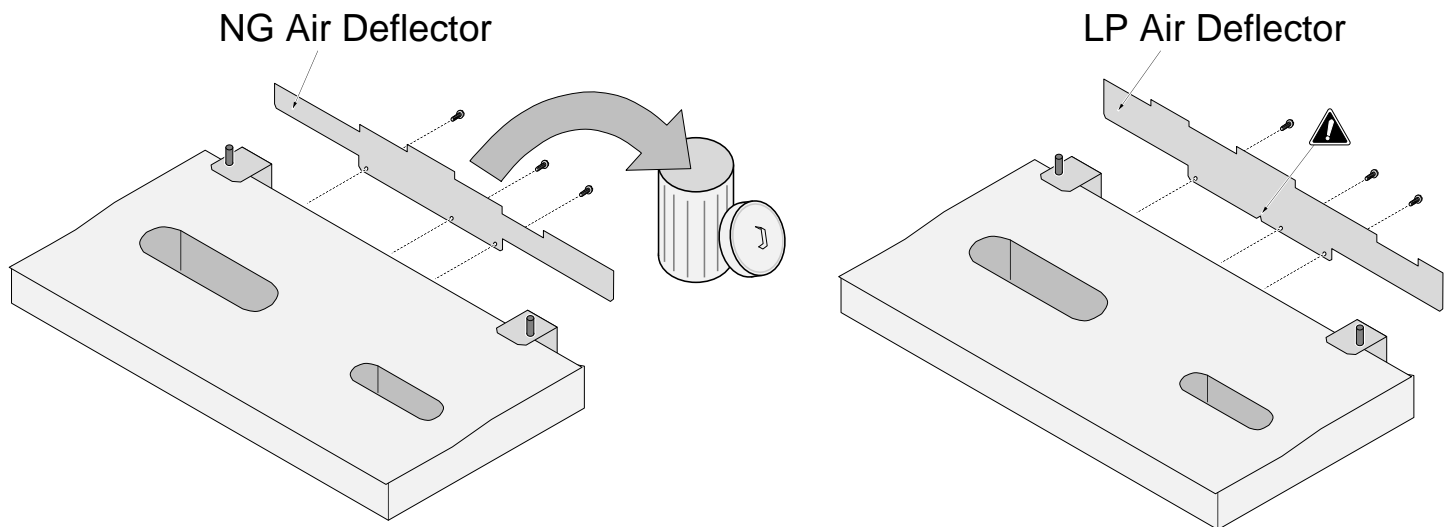
GreenSmart™ 2 Deluxe

This stove now includes the blower and GreenSmart 2 remote standard.

LP (Propane) Conversion

BURNER AIR DEFLECTOR

When using LP (propane) make sure to use the included LP air deflector. Refer to the owner's manual for further details on LP conversion.



LP UNITS REQUIRE GSR STEPPER MOTOR (94400999)

When using LP (propane) make sure to order the GSR stepper motor (4-pack = 94400999, single = 250-01463).



WARNING:

Sheet metal edges can be sharp

ADVERTENCIA:

Los bordes de chapa metálica pueden estar afilados

CAUTION: RESTRICTOR ADJUSTMENT REQUIRED

This heater will not operate properly if the vent restrictor is not set for your specific installation. See "Vent configuration" section in the owner's installation manual.

FIRST FIRE OR START UP

Your appliance has been finished with the highest quality paint. Though this paint dries quickly to the touch, it does not cure or become hard until heated up by the appliance during first fire. For this reason the stove will emit light smoke and have a slight odor. Consult your owner's manual for the complete paint curing instructions. Partially open doors or windows to minimize smoke & odor.

LA PRECAUCIÓN: EL AJUSTE DE RESTRICTOR REQUERIDO

Este calentador no funcionará apropiadamente si el restrictor de abertura no está previsto para su instalación específica. See "La configuración de abertura" corte transversal en el manual de instalación del propietario.

EL PRIMERO FUEGO O COMIENZA PARA ARRIBAS

Su aparato ha estado terminado con la pintura de mejor calidad. Aunque esta pintura se seca rápidamente al tacto, no hace la cura o becomeve duro until calienta por el aparato durante el primer fuego. Para esta razón la cocina emitirá humo ligero y tendrá un olor leve. Consulte el manual de su propietario para la pintura completa curar las instrucciones. Abra puertas o ventanas parcialmente para minimizar humo & olor.