



# 4415 HO GSR2 Cheat Sheet

The 4415 HO GSR2 has several new features and characteristics that require special attention during installation and set-up. This unit uses the new GreenSmart 2 system. Refer to the owner's manual for full details.

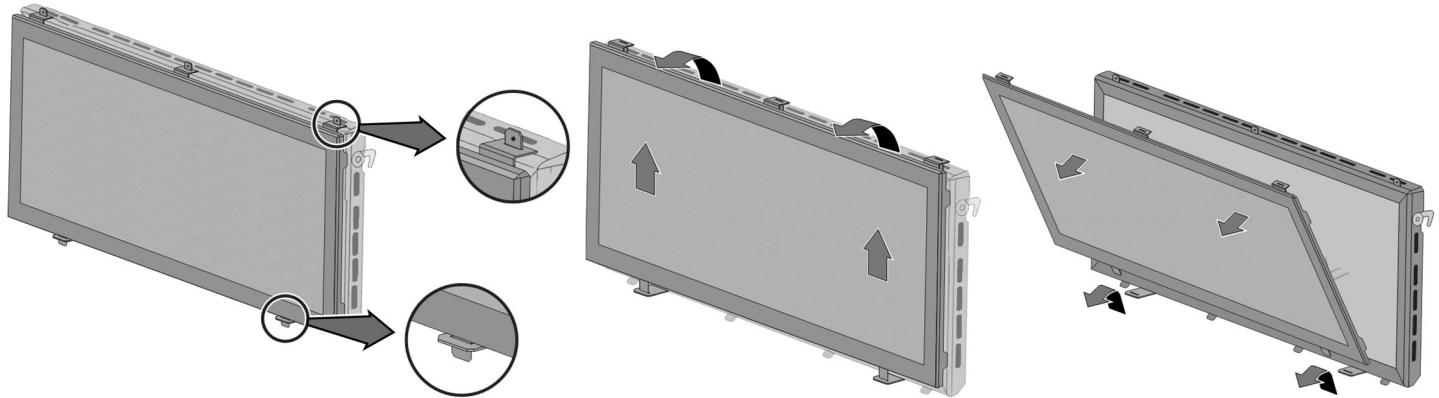
## **REMOVE THE SCREEN BEFORE YOU REMOVE THE GLASS FRAME**

This fireplace uses a newly designed screen barrier. Make sure to remove the barrier prior to removing the glass frame.

1. Remove the concealment cover and place aside. It has two holes that aid in removal.



2. Lift up on the barrier screen assembly until the top brackets are clear of the tabs on the glass frame assembly. Direct the top edge of the barrier screen forward. Lift the bottom tabs out of the brackets on the bottom of the glass frame assembly and remove the barrier screen from the fireplace.



### **This Fireplace Requires Firebacks**

96100971 Stainless Steel  
96100972 Black Enamel

96100973 Black Painted  
96100974 Ledgestone

### **If using LP (Propane)**

A conversion kit is required if using propane with this heater (sku 94400999 – GSR Stepper Motor Kit).

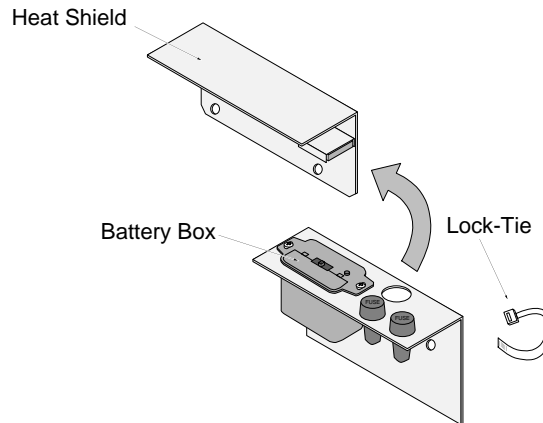
### **No Drill or Screw Zone**

Controls for this fireplace are directly in front. Do not drill or screw into this area (see manual for details).

### **Battery Box Heat Shield**

Travis Industries recently updated the 6015 to include a heat shield over the top of the battery box. Make sure to replace this heat shield after installing the batteries. The heat shield must be in place whenever the fireplace is in operation.

**NOTE:** The heat shield is shipped in place. It is held in place with a lock-tie. **Remove and discard this lock-tie** to allow the heat shield to be removed and the batteries installed.





# 4415 HO GSR2 Cheat Sheet

## This Fireplace Uses a Unique Remote (no comfort control)

This fireplace uses a single-burner configuration, unlike our other fireplaces. The remote has been re-programmed to remove the comfort control feature.

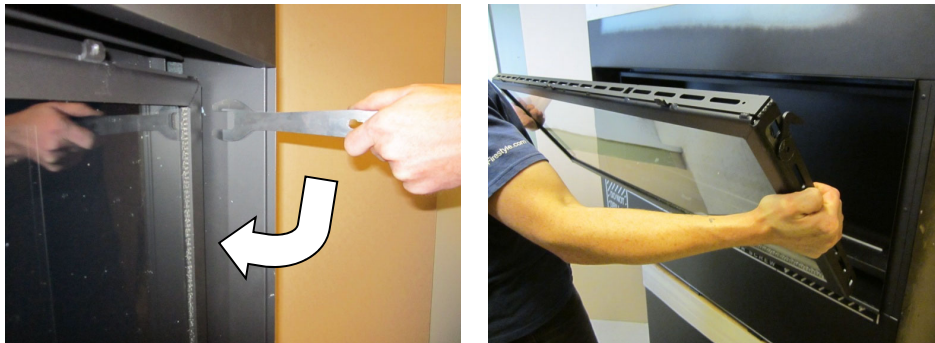
## Glass Frame Tool

The glass frame tool is shipped inside the fireplace, under the concealment cover. The first time it is used you may need to loosen the screw (1/4" wrench). The tool is accessed after removing the screen. Replace the tool in this location after use.



## Glass Frame Removal

Use the glass tool to unlatch the glass frame. Remove the glass frame. The glass frame is held in place with four tabs inserted into four slots at the bottom of the firebox opening. See manual for details.



## This Fireplace Requires 7 Lbs. (3.1 Kg) of 1/4" (7mm) Crushed Glass

<b>Crushed Glass</b>	94500580 Platinum (10 lbs. 4.5 Kg)
	94500581 Bronze (10 lbs. 4.5 Kg)
	94500582 Cobalt (10 lbs. 4.5 Kg)

When installing the glass, make sure the two air channels are free of crushed glass. Use the glass frame tool (or screwdriver) to clear this area. See manual for details.



## Drywall Supports

This fireplace has two pre-attached vertical drywall supports and one horizontal drywall support (zip-tied to top). See manual for details.

## Pipe Shield and 4" (102mm) Firestops

This fireplace includes a pipe shield and two 4" (102mm) firestops used for minimum rise (12" 305mm) installations. These are shipped on top of the fireplace. See manual for details.