



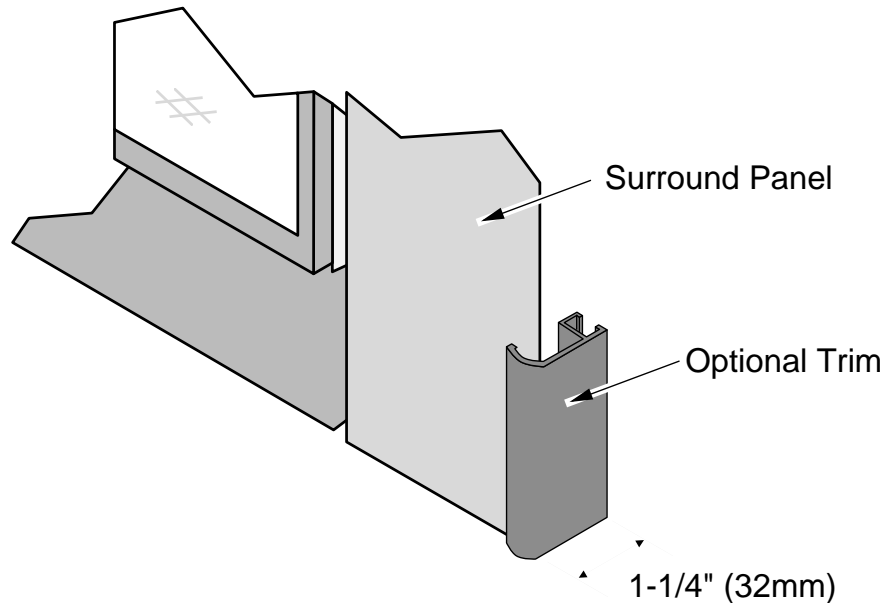
One-Piece Panel Trim (see part numbers below)

Part Numbers & Compatibility

<u>Part Number (sku)</u>	<u>Height x Width</u>	<u>Compatible Units</u>
96500891	25" x 38"	<ul style="list-style-type: none"> • DVS Insert (96100318) • 430 Insert (96100337) • Radiant Medium Insert (96100552)
96500892	28-1/2" x 40"	<ul style="list-style-type: none"> • DVS Insert (96100324) • 430 Insert (96100338) • Radiant Medium Insert (96100553) • Answer Wood Insert (96100440)
96500893	30-1/2" x 42"	<ul style="list-style-type: none"> • DVL Insert (96100323) • 616 Insert (96100349) • Radiant Large Insert (96100562) • Answer Wood Insert (96100441) • Flush Wood Medium (96100212)
96500894	34" x 44"	<ul style="list-style-type: none"> • DVL Insert (96100319) • 616 Insert (96100350) • Radiant Large Insert (96100563) • Flush Wood Medium (96100215)

Installation Sizing

When using this trim, the insert will be located 1-1/4" forward of its standard location relative to the fireplace (see illustration below). This will position the appliance an extra 1-1/4" onto the hearth and 1-1/4" less into the fireplace. This will affect fireplace sizing and hearth requirements (see insert manual for details).

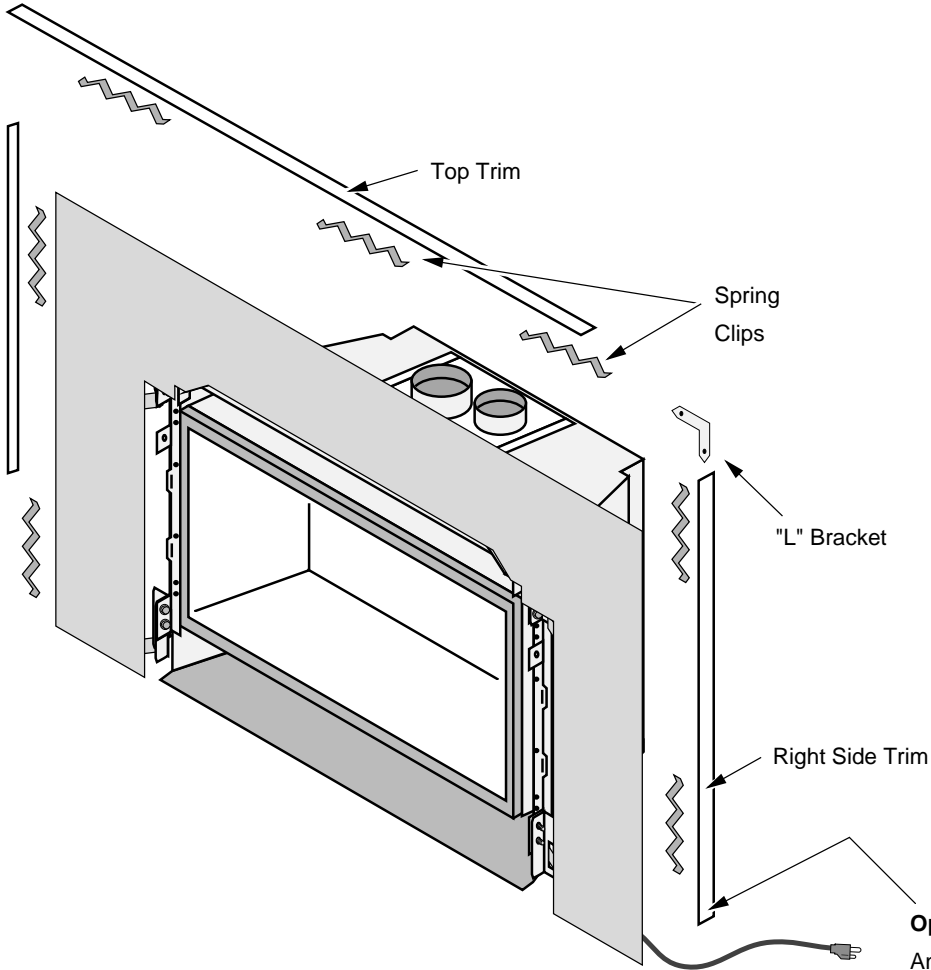




One-Piece Panel Trim (see part numbers below)

Installation

Install the panel trim as shown below.



Micro (1/16")
Standard
Screwdriver

Top Trim

"L" Bracket

Right Side
Trim

Trim Installation:
Insert one leg of each "L" bracket into the top and side trim piece. Align the trim to form a precise corner, then tighten the two set screws with a small standard screwdriver. Slide the trim over the panels. Place the spring clips behind the panels at the locations shown. This keeps the trim tight against the panel.

Optional Knock-Out

An optional knock-out is provided on both sides if the power cord is routed behind the surround panel.