

# 21TRV GSR2

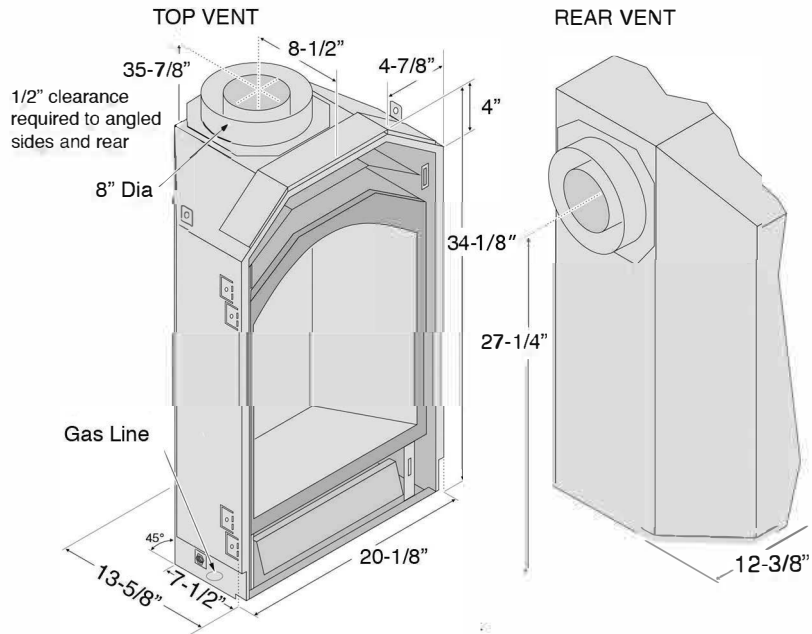
## Framing With Barrier Screen Guide



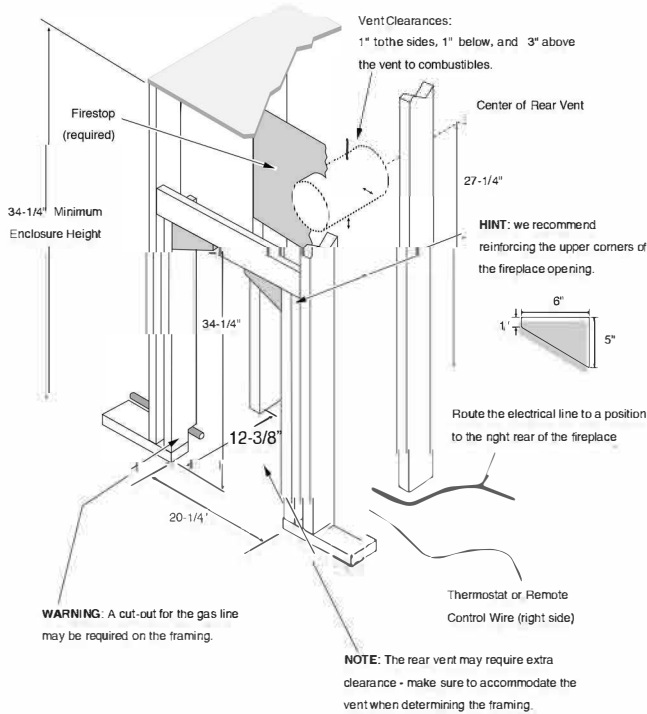
**TRAVIS INDUSTRIES**  
**HOUSE OF FIRE**

12521 HARBOUR REACH DRIVE  
MUKILTEO, WA 98275-5458

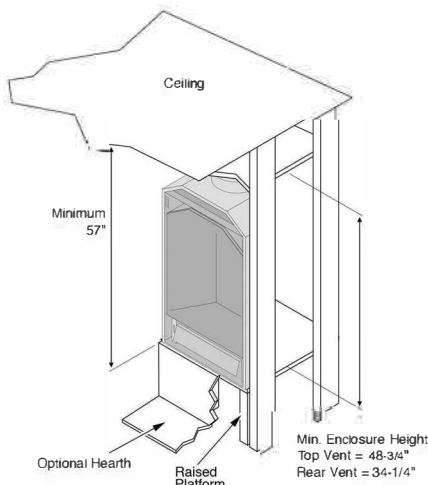
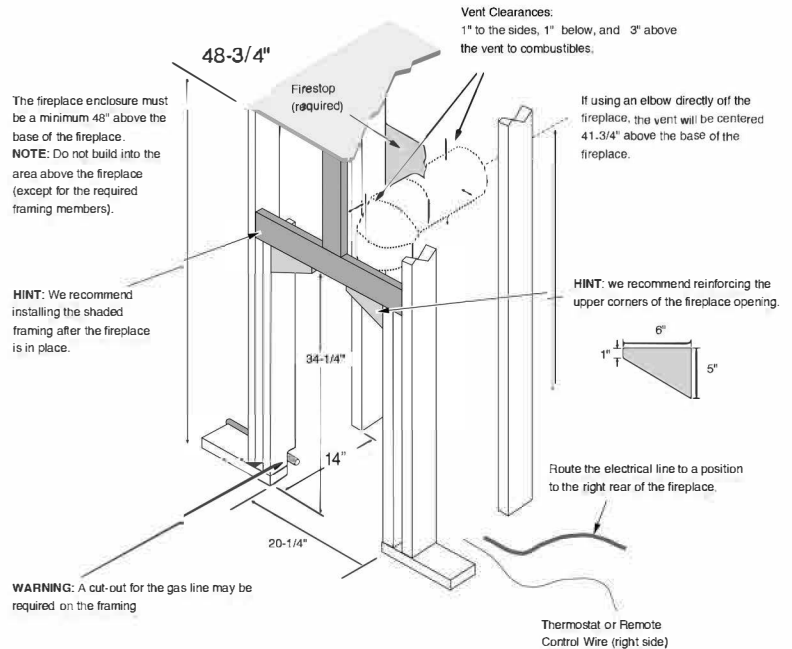
18 00001



### Minimum Framing Dimensions - Rear Vent Configuration

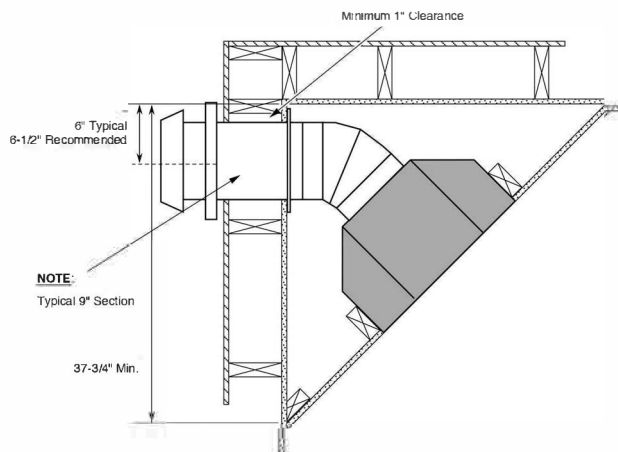


### Minimum Framing Dimensions - Top Vent Configuration



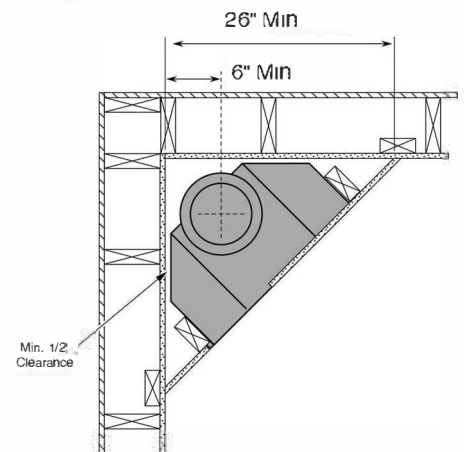
### Corner Installations - Rear Vent Configuration

Typical 45° installation



### Corner Installations - Top Vent Configuration

Typical 45° installation



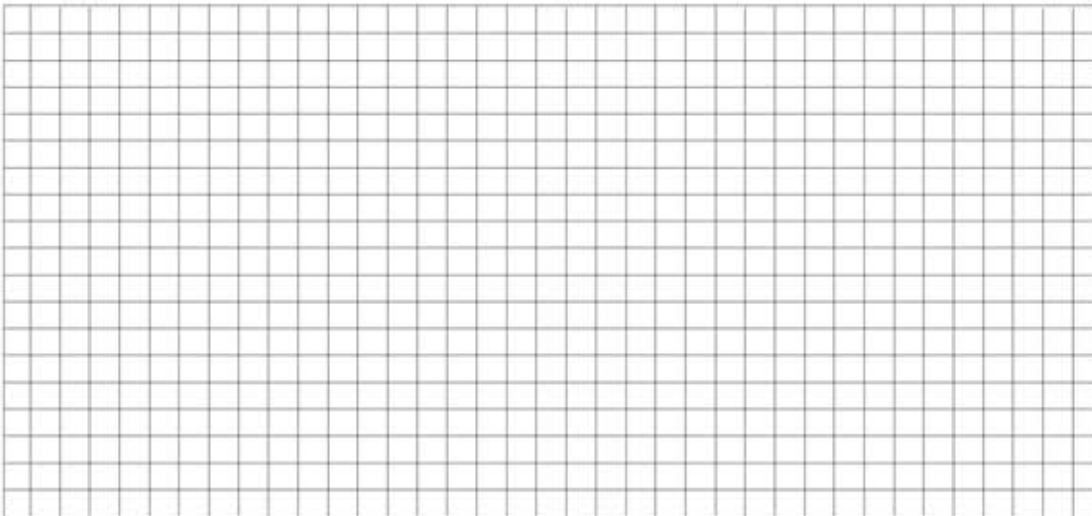
# Gas Fireplace Installation Worksheet

There are many variables to consider in determining what product is the best fit for your home. Print out and fill in the appropriate worksheet and bring it in when you visit your local dealer. This worksheet will help your dealer better understand your installation requirements so that you get the best hearth product based on your home layout and heating requirements.

## About Fireplace

Fireplaces (a.k.a. zero clearance fireplaces) are typically installed during the construction of a new home or as part of a remodel project. As opposed to an insert, the housing (or firebox) of a fireplace is composed of an inner and outer metal shell. The term "zero clearance" refers to the fact that the framing (studs and subfloor) can come directly in contact with the firebox; no clearance is required, allowing lots of installation flexibility.

1. What purpose will the fireplace fill?  
a) Zonal or Supplemental Heating  OR Whole Home Heating
2. What room or rooms (determine square footage) will the fireplace be used to heat? \_\_\_\_\_ sq. ft.
3. Do you have natural gas  or propane  ?
4. Is the fireplace being installed in new construction  or in a remodel  ?
5. Are you replacing an existing fireplace with a new fireplace YES  NO  ?
6. On the grid below please sketch-out your house floor plan and approximately where your fireplace will be installed.



7. Is the house a single story , two story  or three story  home?
8. How high is the ceiling in which the fireplace is to be installed? \_\_\_\_\_ ft.
8. Is the fireplace going into a basement ? YES  NO
9. For remodels or fireplace replacements, it would be helpful if you could bring in photos of the room the fireplace will be installed in and a picture of your existing roof line.