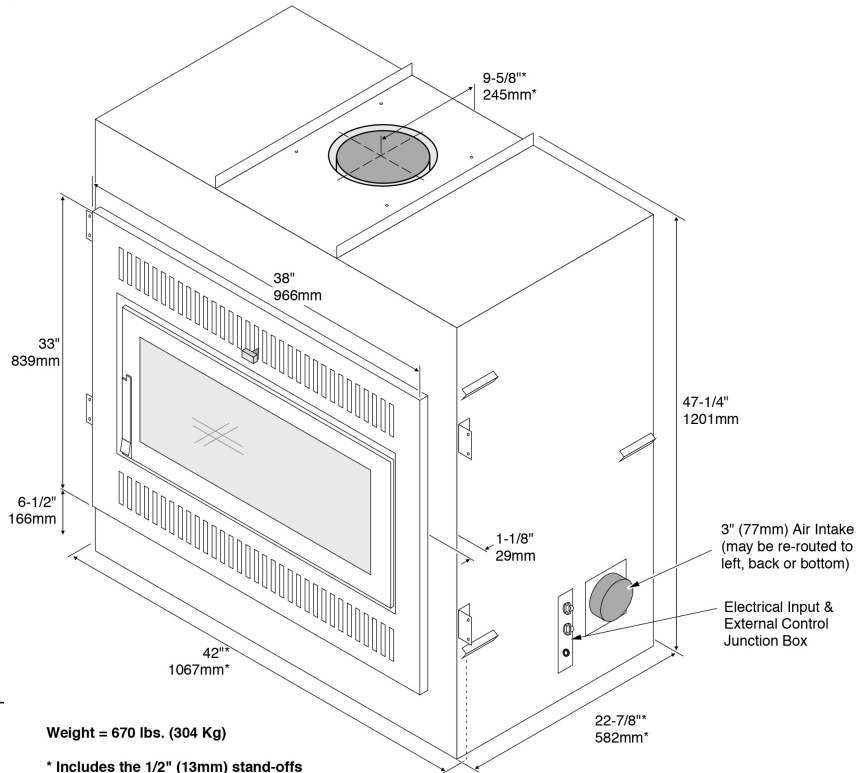


# 42 Apex Framing Guide



**TRAVIS INDUSTRIES**  
**HOUSE OF FIRE**  
 12521 HARBOUR REACH DRIVE  
 MUKILTEO, WA 98275-5458

18100016

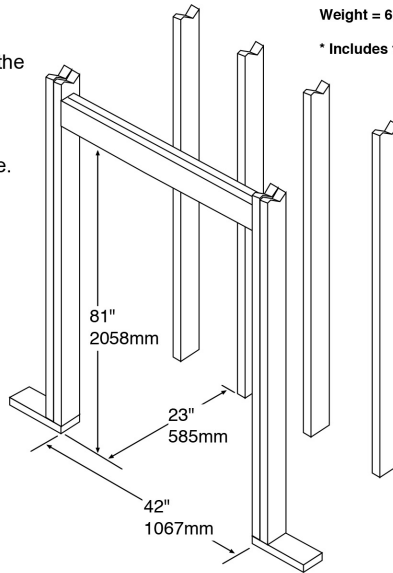


## Fireplace Framing

### Minimum Framing Dimensions

Minimum framing dimensions are shown in the illustration below. Do not build into the enclosure.

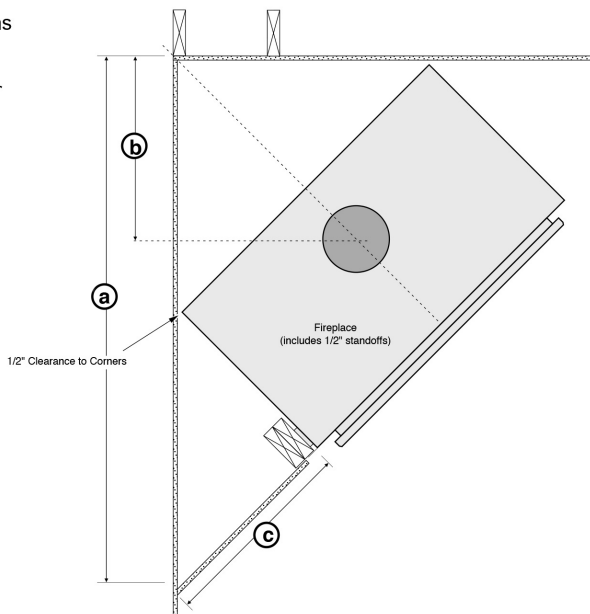
The enclosure over the fireplace must be a minimum 81" above the base of the fireplace.



### Framing Dimensions at 45°

Typical framing dimensions for 45° installation are shown below. Additional space may be required for vent and outside air installation.

- (a) 61-3/4" (1569mm)
- (b) 22-1/2" (572mm)
- (c) 22-1/2" (572mm)



### Raised Fireplaces

- The fireplace (and hearth, if desired) may be placed on a platform designed to support the fireplace and vent (approximately 600 lbs.). See illustration below.
- The ceiling in front of the fireplace must be a minimum 83" from the base of the fireplace.

