

PREMIUM WOOD FIREPLACES



FIREPLACE
XTRORDINAIR

ALL
MODELS
2020 EPA
CERTIFIED

Reimagine the (HEART)H of Your Home

CATALYTIC TECHNOLOGY

All Fireplace Xtrordinair™ wood fireplaces use state of the art catalytic technology. This allows our large capacity wood fireplaces to produce highly efficient, clean fires in all burn settings. This bulletproof technology achieves roaring fires with super-long burn times and very high BTUs ranges, making it the perfect system for these powerhouse home heaters.

CORD WOOD TESTING

All of our wood fireplaces are 2020 EPA certified using the new EPA CORD WOOD protocol rather than the CRIB WOOD protocol that most other manufacturers test to. By testing with CORD WOOD you get a true real world measurement of how well the fireplace will burn and perform in your home.



The 44 Elite™ is shown with the Classic Arch™ double door face.

CHAPTERS

1. Meet the Peak of Wood Fireplace Design

Explore the 42 Apex™ &
42 Apex™ Clean Face
Page 4

2. 42 Apex™ Clean Face Page 6

3. 42 Apex™ with Decorative Faces Page 10

4. Powerhouse Heaters, Elegant Style Elite™ Fireplaces are More than just a Name Page 14

5. 36 Elite™ Page 16

6. 44 Elite™ Page 18

7. Custom Shop Mantels Page 22

How They Work

The 42 Apex™ Models
Page 24

The Elite™ Models
Page 25

Framing

42 Apex™ Fireplace Framing
Page 26

Elite™ Fireplace Framing
Page 27

CHAPTER 1

Meet the Peak of Wood Fireplace Design

Explore the 42 Apex™ & 42 Apex™ Clean Face

The 42 Apex™ and 42 Apex™ Clean Face Wood Fireplaces deliver natural convection heat efficiently throughout your home and offer a sleek, rectangular door and viewing area. These fireplaces feature flexible installation parameters that allow for easy installation virtually anywhere in your home. They also include the optional GreenStart™ Igniter that starts your fire with the push of a button! These models are ideal for new construction, remodels or a tear-out replacement of your existing fireplace.

The 42 Apex™ is shown with the Universal™ face and the Polished Gray Concrete Mantel from the Custom Shop.



CHAPTER 2

42 Apex™ Clean Face

The 42 Apex™ Clean Face features an enduring yet modern design, with the focal point being a spectacular view of the fire and your finish materials. The bold, clean look to the left includes an optional cool air inlet below the fireplace and a heated air outlet above. Learn more about these options on the next page.

- Heating Capacity:* Up to 2,500 square feet
- Maximum Burn Time: Up to 12 hours
- Log Length: 24"
- EPA Tested BTU Range: 13,537 to 49,626
- "Real World BTUs": EPA tests to determine BTU output are achieved with a single load of wood at each burn rate. At home, you are likely to add more wood to your fireplace to maintain your desired comfort level. By the simple process of loading your fireplace with additional wood, you could achieve up to a 20% higher heat output than established during EPA testing.
- Emissions: 0.93 grams/particulate per hour (Cord Wood)
- Overall Efficiency:** Up to 73%
- Firebox: 3.5 cubic feet
- Weight: 905 Lbs.
- Viewing Glass: 25-1/2" W x 12-7/8" H

*Heating Capacity will vary with floor plan, insulation and outdoor temperature.

**Tested and certified using cord wood to the EPA protocol method B415.1-10

42 APEX™ CLEAN FACE - BEHIND THE SCENES



A. Cool Air Inlet: The 42 Apex™ Clean Face fireplace's unique design pulls cool room air from a vent below the fireplace. This air gets heated while being circulated through a series of engineered air chambers in the fireplace.

B. Heated Air Outlet: Hot air moves through a series of flex vents, which is connected to a thin profile outlet mounted at a higher level in the room, and exits into your living space.

42 APEX™ and 42 APEX™ CLEAN FACE DELIGHT IN THE DETAILS

- Massive, 328-square-inch fire viewing area.
- Sleek rectangular door design is classically understated, linear and very popular.
- Easy-to-use single air control, artfully hidden in the design.
- Bypass damper for easy startup fires and smoke-free reloading.
- Low-profile door handle is incorporated into design.
- Heavy-gauge steel 3.5 cubic foot firebox lined with kiln-dried firebrick.
- Holds logs up to 24 inches long.
- Perforated air wash keeps high-quality viewing glass clean.
- Exceptionally quiet 400 CFM fan that minimizes noise while maximizing heat output.
- Heavy-duty unibody construction.
- Two chimney options, allowing for a variety of installation applications: 8" air-cooled chimney or 7" insulated pipe.
- State-of-the-art catalytic operation provides you with the cleanest burning wood fireplaces in the industry.
- In-Wall Control Center houses the fan speed controller, digital catalytic temperature readout and optional GreenStart™ button.

MULTI-USE TOOL

Your 42 Apex™ comes with a useful tool that allows you to adjust your air control, open and close your bypass damper, and access the loading door without the risk of accidentally touching the hot surface of the fireplace.



CHAPTER 3

42 Apex™ with Decorative Faces

The 42 Apex™ is designed to deliver high-performance, clean-burning heat while showcasing a spectacular view of the fire. Express your personal style with one of the three available faces, like the Custom Shop hand-crafted Timberline™ to the right. This cozy great room also showcases the Custom Shop Hand-Hewn Timber Mantel & Legs, and the In-Wall Control Center with GreenStart® Igniter.

- Heating Capacity:* Up to 2,500 square feet
- Maximum Burn Time: Up to 12 hours
- Log Length: 24"
- EPA Tested BTU Range: 13,537 to 49,626
- "Real World BTUs": EPA tests to determine BTU output are achieved with a single load of wood at each burn rate. At home, you are likely to add more wood to your fireplace to maintain your desired comfort level. By the simple process of loading your fireplace with additional wood, you could achieve up to a 20% higher heat output than established during EPA testing.
- Emissions: 0.93 grams/particulate per hour (Cord Wood)
- Overall Efficiency:** Up to 73%
- Firebox: 3.5 cubic feet
- Weight: 808 Lbs.
- Viewing Glass: 25-5/8" W x 12-7/8" H

*Heating Capacity will vary with floor plan, insulation and outdoor temperature.

**Tested and certified using cord wood to the EPA protocol method B415.1-10





A FACE FOR EVERY SPACE

The 42 Apex™ fireplace has three faces designed to enhance your personal architectural style:

UNIVERSAL™

Timeless motif for enduring elegance will complement decades of changing styles.



METROPOLITAN™

Detailed grill work exuding alluring curves which effortlessly blends with other classic design elements.



TIMBERLINE™

Hand-crafted with exemplary artistry and pairs well with bold statement pieces. Each individual face takes more than 10 hours to forge.

IN-WALL CONTROL CENTER

Both 42 Apex™ fireplaces feature an In-Wall Control Center, the first in the industry to combine a digital catalytic temperature readout and a slide rheostat for the standard fan. This user-friendly device combines your fireplace controls into one simple, sleek design and can easily be mounted and integrated into the wall.

With this wall control you have the ability to adjust the amount of heat being distributed into the room, understand when your fireplace is performing at optimum efficiency, and even start your fire with the push of a button!



1. The slide rheostat can be adjusted to maximize the heat output of your fan, or it can turn the fan completely off when low, gentle warmth is desired.
2. The digital temperature should read above 500 degrees Fahrenheit*, which means the catalytic combustor is engaged and you are burning a clean, efficient fire.
3. With the optional GreenStart® feature you simply load the wood and push a button to have a roaring fire in minutes!

*Fahrenheit temperature can easily be changed to Celsius.



Use your Smart Phone QR Reader to watch a video on the 42 Apex™ wood fireplace



PUSH-BUTTON STARTUP. THE GREATEST WOOD FIREPLACE OPTION EVER!

With a push of the GreenStart® button, super-heated air (1400°F) starts your 42 Apex™ in a New York minute. You can also use the GreenStart® Igniter when adding new wood or refreshing your fire after an overnight burn. Your fireplace door stays closed during startups; no more smoky starts, no more slow starts.

Anyone can do it!



STEP 2 Fire Starts Automatically



STEP 3 Relax and Enjoy





CHAPTER 4

Powerhouse Heaters, Elegant Style

Elite™ Fireplaces Are More Than just A Name

More than two decades ago, the FireplaceX® Elite™ models brought about the Original Arched Fireplace, a trademark product shape of an arched door and parallel arched face. FireplaceX® Elite™ fireplaces use fresh air drawn from outside the home, for both combustion and heat transfer through a unique concept called “Posi-Pressure.” The arched design conceals the air intake and heat exchanger, while the arches have identified FireplaceX® to thousands of discerning homeowners all over North America. Only FireplaceX® creates such a beautiful, versatile look in a high-BTU-output fireplace.

The 36 Elite™ shown with single door and Classic Arch face.

CHAPTER 5

36 Elite™

The 36 Elite™ is the perfect fireplace that meets all of your heating and design needs. This unit is made from heavy-gauge steel with unibody construction. It features a 388 CFM fan for Posi-Pressure heat distribution throughout your home. The spectacular display of fire to the right is framed with the Custom Shop Artisan™ single door face and Hand-Hewn Timber Mantel.

- Heating Capacity: Up to 2,500 square feet*
- Maximum Burn Time: Up to 10 hours
- Log Length: 24"
- EPA Tested BTU Range: 17,906 to 69,747
- "Real World BTUs": EPA tests to determine BTU output are achieved with a single load of wood at each burn rate. At home, you are likely to add more wood to your fireplace to maintain your desired comfort level. By the simple process of loading your fireplace with additional wood, you could achieve up to a 20% higher heat output than established during EPA testing.
- Emissions: 1.3 grams/particulate per hour (Cord Wood)
- Overall Efficiency:** Up to 72%
- Firebox: 3.0 cubic feet
- Weight: 590 Lbs.
- Viewing Glass: Double Door: 11-1/4" W x 14-1/2" H (each side)
Single Door: 25-1/4" W x 14-1/2" H

*Heating Capacity will vary with floor plan, insulation and outdoor temperature.

**Tested and certified using cord wood to the EPA protocol method B415.1-10





CHAPTER 6

44 Elite™

The 44 Elite™ has the largest firebox available in its class. The massive viewing area is sure to please in any great room. This unit is made from heavy-gauge steel with unibody construction and features a remote-mounted 388 CFM fan for Posi-Pressure heat distribution throughout your home. This transitional living space features the Custom Shop Artisan™ double door face.

- Heating Capacity:* Up to 3,000 square feet
- Maximum Burn Time: Up to 12 hours
- Log Length: 32"
- EPA Tested BTU Range: 12,947 to 78,046
- "Real World BTUs": EPA tests to determine BTU output are achieved with a single load of wood at each burn rate. At home, you are likely to add more wood to your fireplace to maintain your desired comfort level. By the simple process of loading your fireplace with additional wood, you could achieve up to a 20% higher heat output than established during EPA testing.
- Emissions: 1.8 grams/particulate per hour (cord wood)
- Overall Efficiency:** Up to 73%
- Firebox: 4.2 cubic foot
- Weight: 680 Lbs.
- Viewing Glass: Double Door 14-3/8" W x 18-1/4" H (each side)

*Heating Capacity will vary with floor plan, insulation and outdoor temperature.

**Tested and certified using cord wood to the EPA protocol method B415.1-10

The Elite™ Models

NO FIREPLACE BURNS AS CLEAN AS A FIREPLACEX®

A source of heat for your home shouldn't be a source of pollution for our environment. FireplaceX® utilizes the latest catalytic technology to reduce emissions by 90% compared to conventional fireplaces. A catalytic combustor reduces the temperature at which smoke ignites, causing it to burn before it leaves the firebox. Unlike most fireplaces, the FireplaceX® Elite™ series surpasses the EPA's strict emissions standards for wood stoves in fact, emissions are as low as 2.3 grams of particulates per hour for the Model 36 Elite™ and 1.82 grams for the Model 44 Elite™!

UNMATCHED BEAUTY

The FireplaceX® Elite™ series is designed to meet your architectural needs by blending with the interior of your home rather than looking like an add-on.

The controls for the fan, air adjustment and damper are subtly incorporated in the face of the unit itself for easy access.

The standard heat-resistant finish for the doors and face is a rich metallic black. Your dealer can offer a wide assortment of decorative paint colors as well.

POSI-PRESSURE HEATING SYSTEM

One of the unique design features of FireplaceX® Elite™ fireplaces is that you can use fresh air which is drawn from outside the home for both combustion and heat transfer through a unique concept called "Posi-Pressure."

Posi-Pressure technology draws outside air into the cavity around the fireplace and heats it, then circulates it throughout the home via a quiet, remote blower. The heated air naturally "seeks out" and penetrates cold spaces, warming the entire home evenly while "sealing" cracks, leaks and other drafty spots by preventing cold air infiltration.

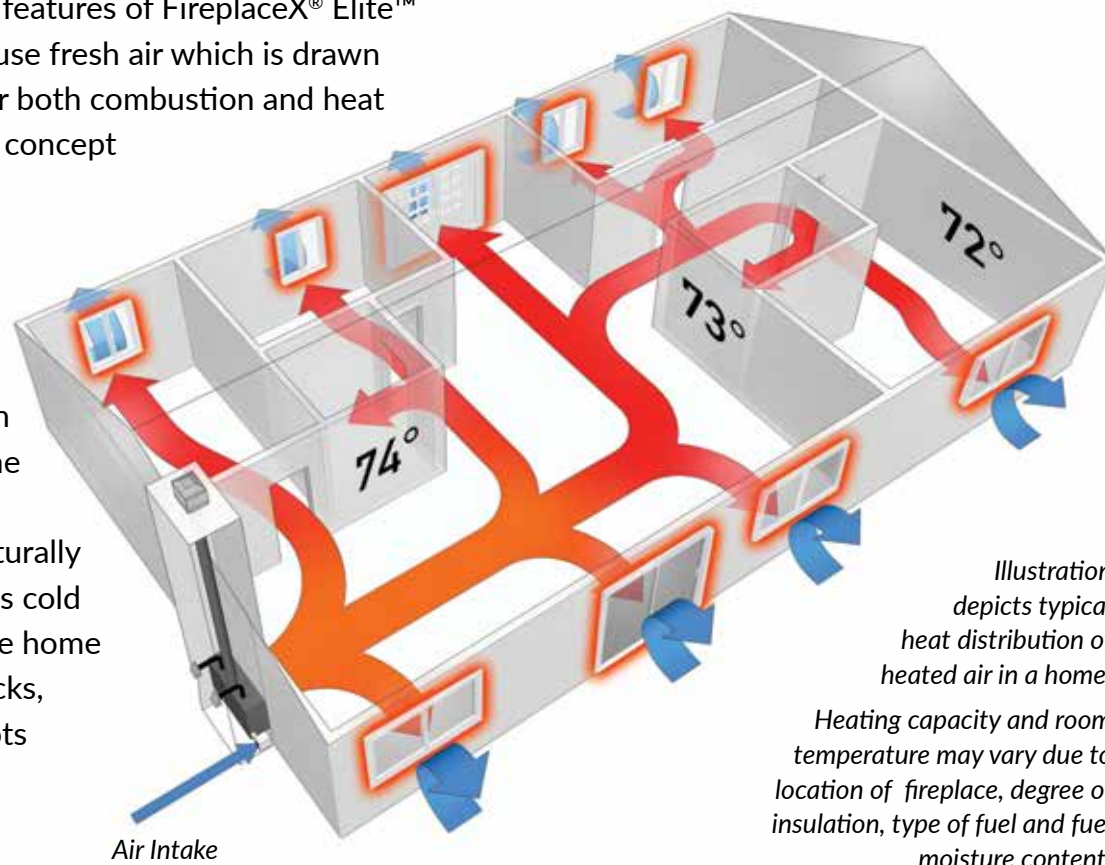


Illustration depicts typical heat distribution of heated air in a home.

Heating capacity and room temperature may vary due to location of fireplace, degree of insulation, type of fuel and fuel moisture content.

A Face and Door for Every Space

CLASSIC ARCH™ FACES & DOORS

The Classic Arch™ door style is equally charming at home in the country or gracing a contemporary living room. The warm black finish complements any decor and is timelessly enchanting.

ARTISAN™ HAND-HAMMERED FACES & DOORS

Artisan™ faces are part of our Custom Shop collection of hand-crafted designs. These faces are reminiscent of the iron work in the great lodges of Europe and North America. Hand-forged by master blacksmiths, each face takes more than 12 hours to craft and bears unique characteristics, making it a true work of art.

36 ELITE™ FACE/DOOR CHOICES



Classic Arch™ black double door



Classic Arch™ black single door comes with decorative cast andiron



Custom Shop Artisan™ single door

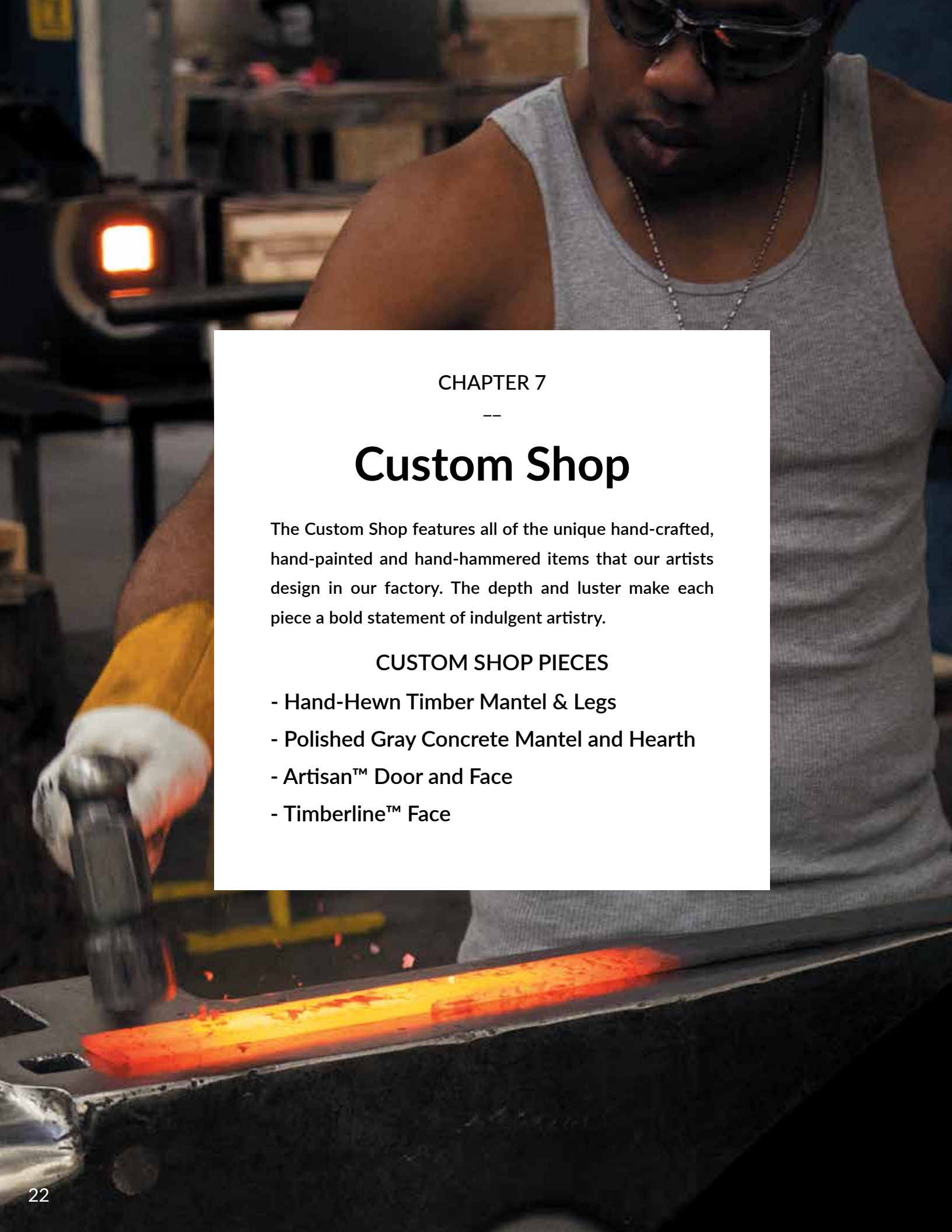
44 ELITE™ FACE/DOOR CHOICES



Classic Arch™ black double door



Custom Shop Artisan™ double door



CHAPTER 7

Custom Shop

The Custom Shop features all of the unique hand-crafted, hand-painted and hand-hammered items that our artists design in our factory. The depth and luster make each piece a bold statement of indulgent artistry.

CUSTOM SHOP PIECES

- Hand-Hewn Timber Mantel & Legs
- Polished Gray Concrete Mantel and Hearth
- Artisan™ Door and Face
- Timberline™ Face

CUSTOM SHOP POLISHED GRAY CONCRETE MANTELS

Available in 5' and 6' lengths

Add a bold statement to your fireplace with one of our unique, hand-crafted mantels that are designed and created by our in-house artists. These non-combustible mantels come in both 5' and 6' lengths, and can also be used as a hearth.



Hand-Hewn Timber Mantels

This is a realistic reproduction of a 150-year-old fir timber. Our artists individually hand-paint each mantel with incredible attention to detail. We challenge anybody to tell the difference between this reproduction and the authentic timber. Hand-Hewn Timber Legs are available for the 6' mantel to achieve a three-sided Timber mantel installation.

Polished Gray Concrete Mantels

Each mantel is individually crafted to expose a smooth, polished quartz surface that offers a bold, contemporary look.



HOW THE 42 APEX™ FIREPLACES WORK

(A) Air Control: The single air control is artfully hidden within the fireplace design and gives you the ability to effortlessly manage the burn rate of the fire.

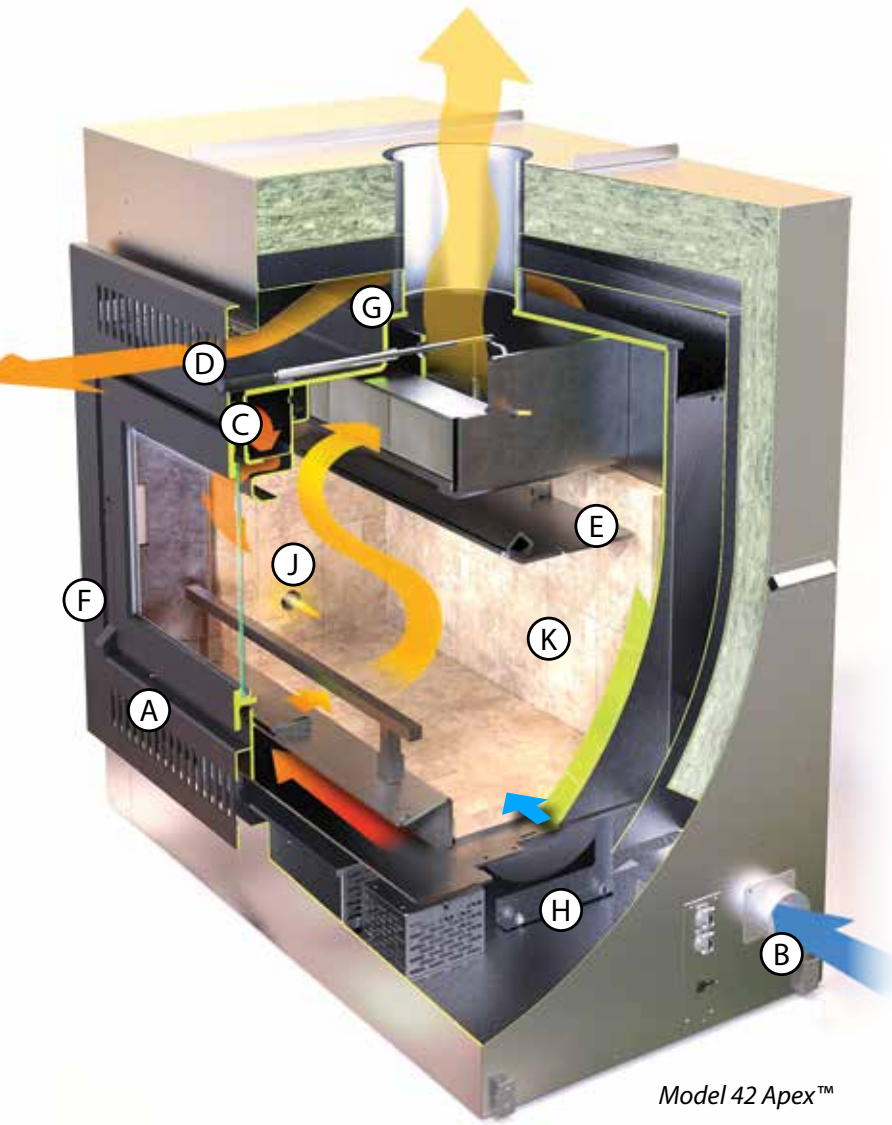
(B) Outside Air: Directly connects to an outside air source using a 3-inch flex duct. This duct is installed to the outside envelope of your home. This feature allows the fireplace to only use outside air for combustion.

(C) Air Wash: A unique perforated steel screen design creates a high velocity of heated air flow across the glass. This helps keep the glass clean for your enjoyment.

(D) Bypass Damper: An exceptional feature that is used for two things when in the open position: quick start-up and smoke-free reloading. The hot air gets drawn to the back of the firebox, away from the door and up the chimney. In the closed position, the heated air is drawn through the catalytic combustor, incinerating any leftover smoke particulates, thus maximizing your efficiency.

(E) Heavy-Duty Baffle Plate: Increases the time the unburned gases stay in the firebox, mixing them with fresh oxygen prior to entering the catalytic combustor, which increases efficiency and lowers emissions by creating secondary combustion.

(F) Low-Profile Door Handle: Seamlessly incorporated into the door and comes standard with a tool that allows you to open and close the door with ease.



Model 42 Apex™

(G) Convection Chamber: Naturally circulates the air around the fireplace and returns it into the room as heated air. As the fireplace heats up, the air flow increases, and more heated air is delivered into the room.

(H) 400 CFM Convection Fan: Mounted below the firebox, comes standard and minimizes noise while maximizing heat output.

(I) In-Wall Control Center: See page 13 for details.

(J) GreenStart Igniter: See page 13 for details.

(K) Kiln-Fired Brick: A hard refractory firebrick that is used in the most demanding applications and is rated to take heat up to 3000 degrees fahrenheit. This makes it ideal for increased efficiency and allows for greater heat transfer from the firebox to your home



HOW THE ELITE™ FIREPLACES WORK

(A) Air Control: The single air control is artfully hidden within the fireplace design and gives you the ability to effortlessly manage the burn rate of the fire.

(B) Air Wash: A unique perforated steel screen design creates a high velocity of heated air flow across the glass. This helps keep the glass clean for your enjoyment.

(C) Bypass Damper: An exceptional feature that is used for two things when in the open position: quick start-up and smoke-free reloading. The hot air gets drawn to the back of the firebox, away from the door and up the chimney. In the closed position, the heated air is drawn through the catalytic combustor, incinerating any leftover smoke particulates, thus maximizing your efficiency.

(D) Posi-Pressure System: Outside air is drawn through the remote, quiet variable-speed 388 CFM fan to pressurize the house. The air is pulled into the engineered air chambers around the firebox and heated air is transferred into the room, providing warmth and comfort throughout your home.

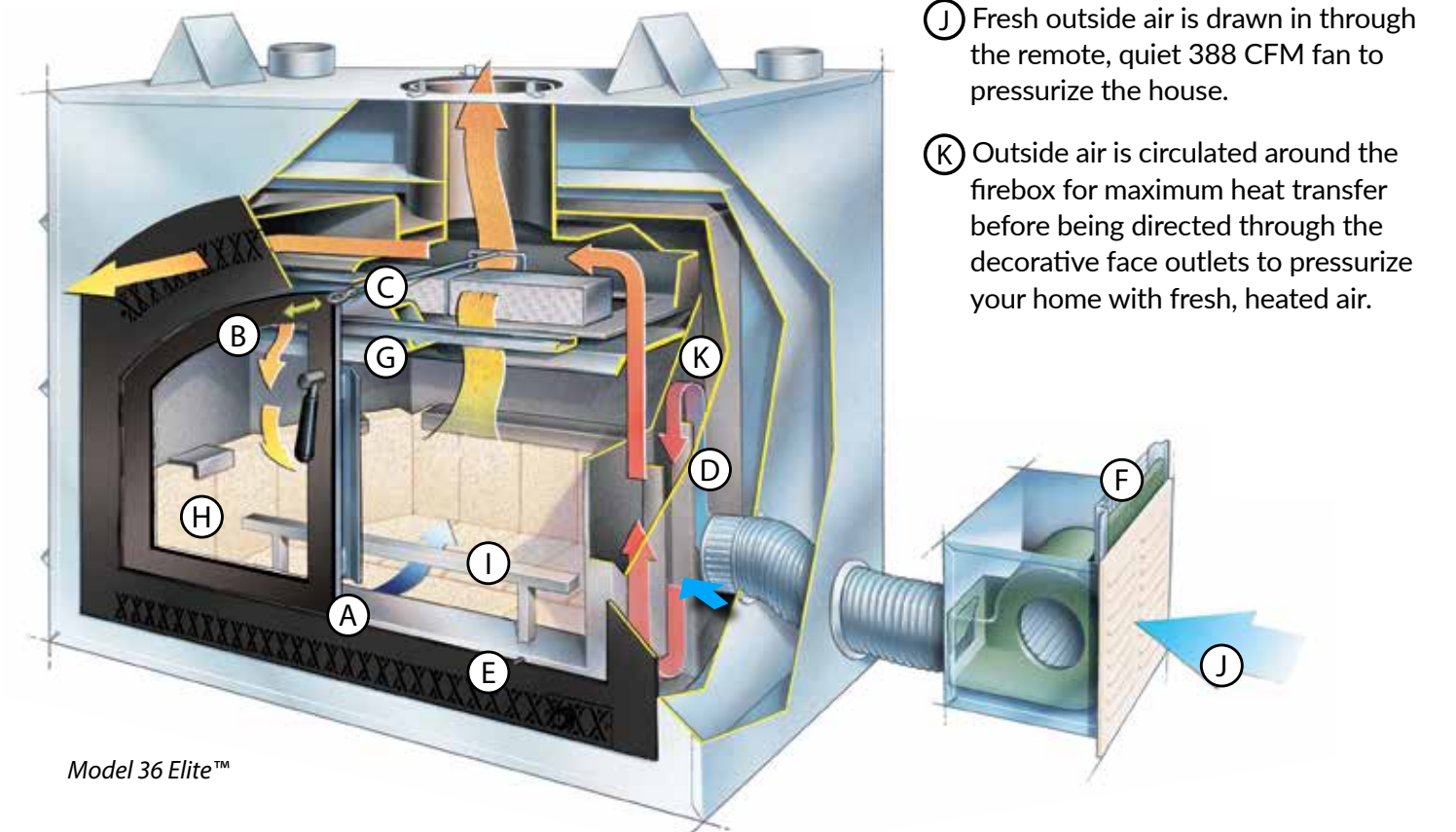
(E) Fan Micro-Switch: Instantly turns off the fan system when you open the door(s) to prevent smoke-back into the room.

(F) Air Filter: Keeps incoming air clean. The air filter is removable and washable.

(G) Heavy-Duty Baffle Plate: Increases the time the unburned gases stay in the firebox, mixing them with fresh oxygen prior to entering the catalytic combustor, which increases efficiency and lowers emissions by creating secondary combustion.

(H) Kiln-Fired Brick: Hard refractory brick that is used in the most demanding applications and is rated to take heat up to 3,000 degrees fahrenheit. This makes it ideal for increased efficiency and allows greater transfer of heat from the firebox to your home

(I) Log Retainer: Gives you the ability to load a large amount of wood into the firebox without it rolling back out.



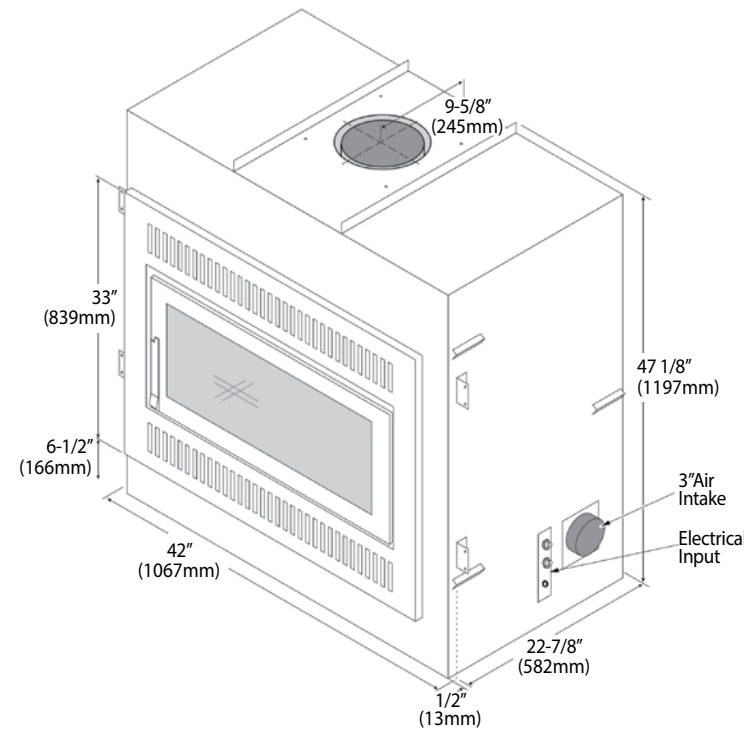
Model 36 Elite™

(J) Fresh outside air is drawn in through the remote, quiet 388 CFM fan to pressurize the house.

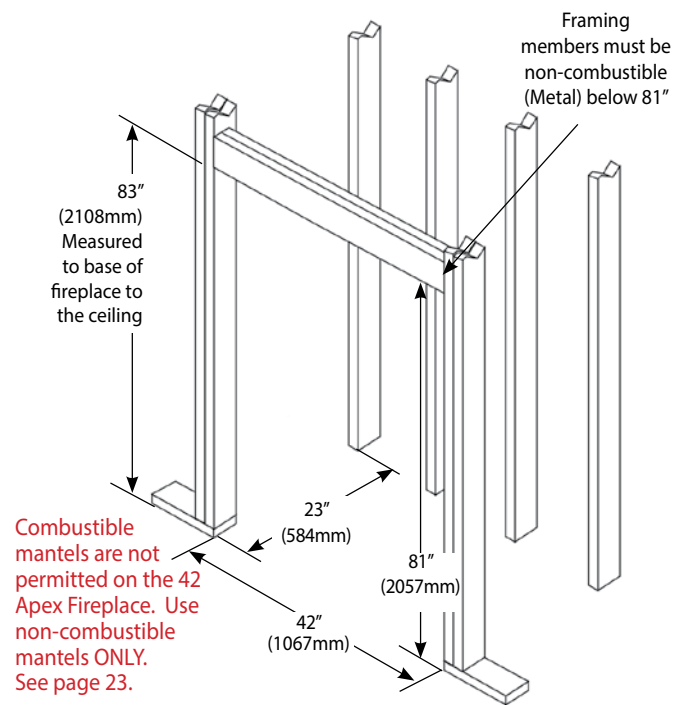
(K) Outside air is circulated around the firebox for maximum heat transfer before being directed through the decorative face outlets to pressurize your home with fresh, heated air.

Always refer to the Installation Manual for complete installation information.

42 APEX™ INSTALLATION



Framing



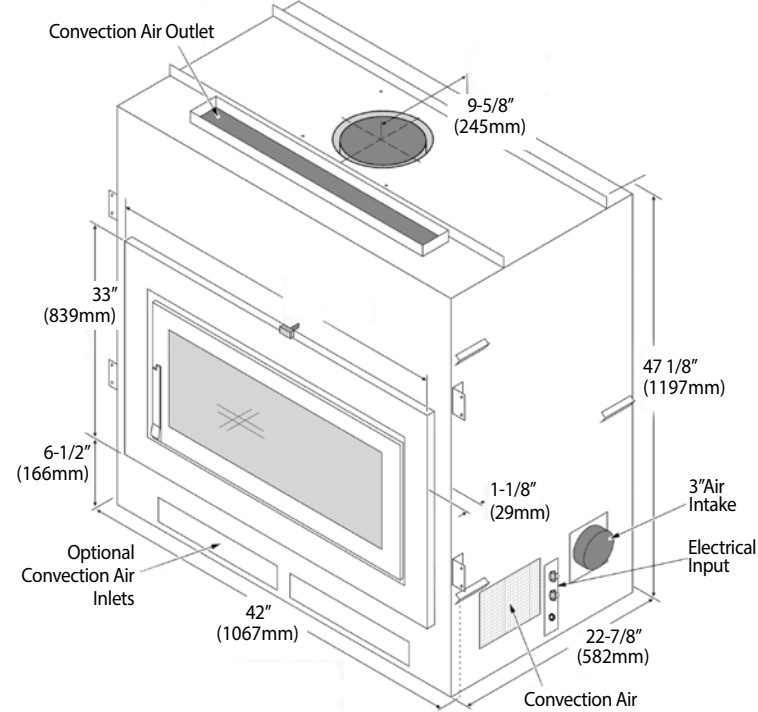
CLEARANCES TO COMBUSTIBLES

Sidewalls measured to the center line in front of fireplace.	45" (1143mm)
Side combustibles measured to the center line in front of fireplace that protrude less than 7" (178mm).	24-3/8" (620mm)
Combustibles placed in front or sides of the fireplace.	48" (1219mm)
Non-combustible Hearth Depth.	20" (508mm)

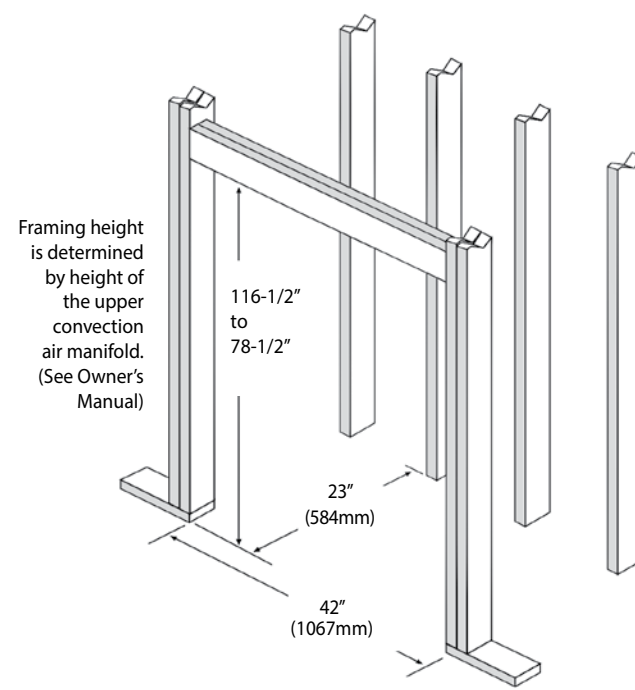
TESTING

FireplaceX® Model 42 APEX™ is tested to U.L. 127-2015 and ULC-S610-M87 (R1998) standards by OMNI-Test Laboratories, Inc. Report # 028WF102S

42 APEX™ CLEAN FACE INSTALLATION



Framing

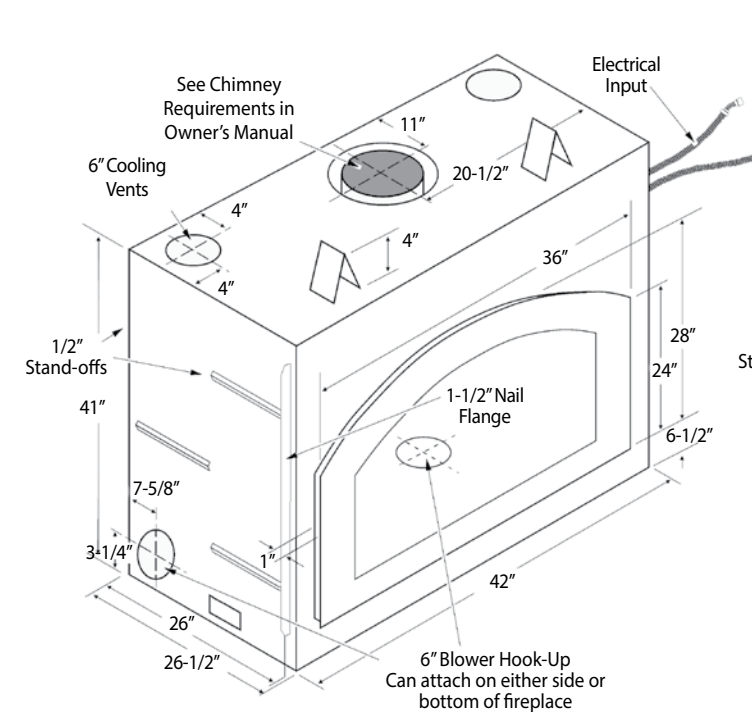


APPROVED CHIMNEY

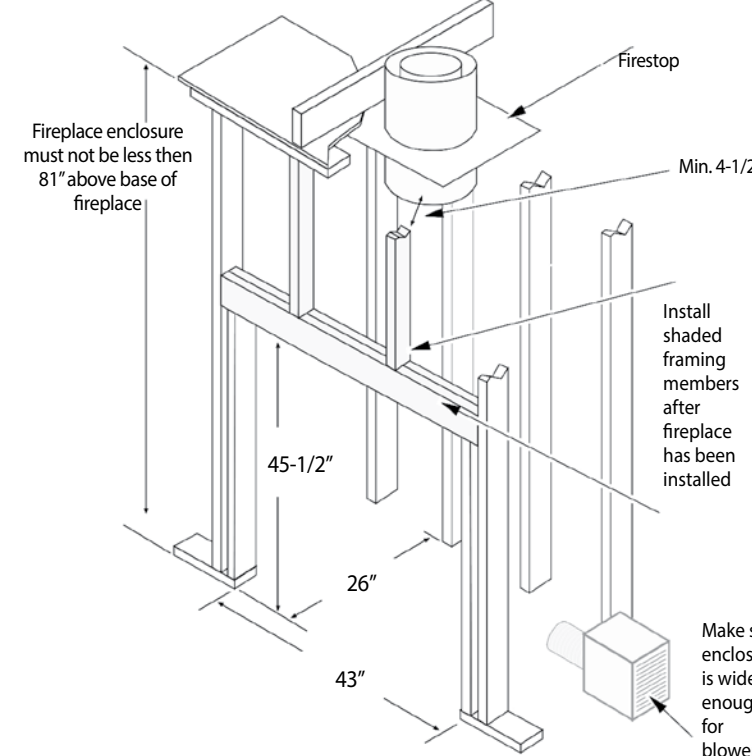
AIR-COOLED CHIMNEY	- Use one of the following brands and series of air-cooled chimney. Simpson DuraVent 8" x 12".
INSULATED CHIMNEY	- DuraVent DuraPlus HTC Chimney - DuraVent DuraTech Premium DTP - Duratech Canada - ICC Excel 7" - Security Oliver MacCloud S2100+ or ASHT+SP - Security S2100+ and ASHT+ - Selkirk CF Sentinel, Supervent 2100JM, SuperPro 2100 ALT and UltimateOne

Always refer to the Installation Manual for complete installation information.

36 ELITE™ INSTALLATION



Framing



CLEARANCES TO COMBUSTIBLES

To Combustible Mantel*	23" (584mm)
To Combustible Top Facing*	12" (305mm)
To Combustible Side Facing*	2-1/2" (64mm)
Non-Combustible Hearth Depth.	20" (508mm)

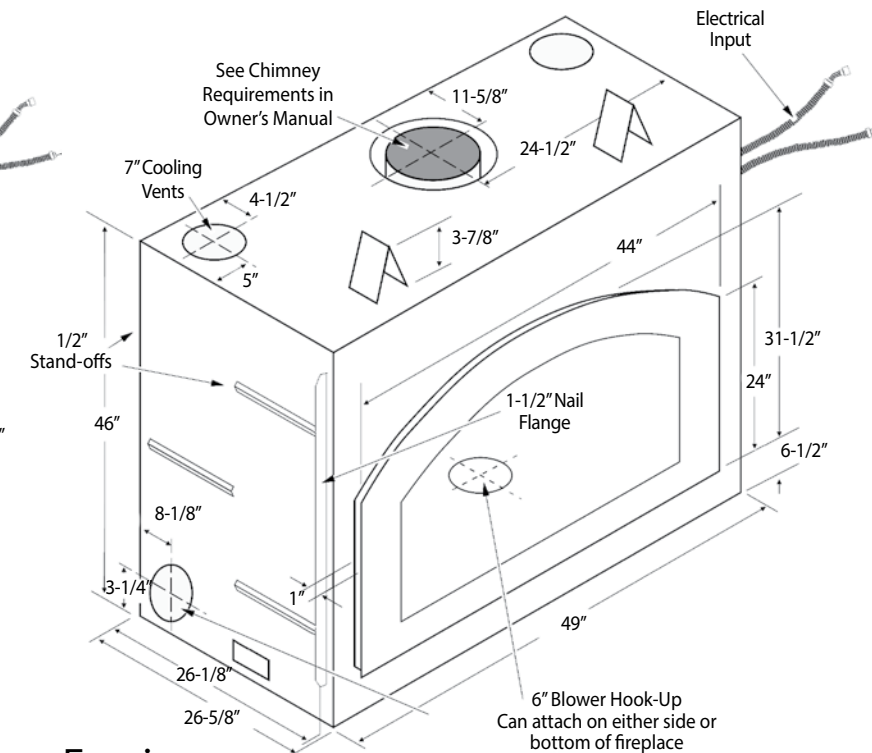
* Measured from Face

TESTING

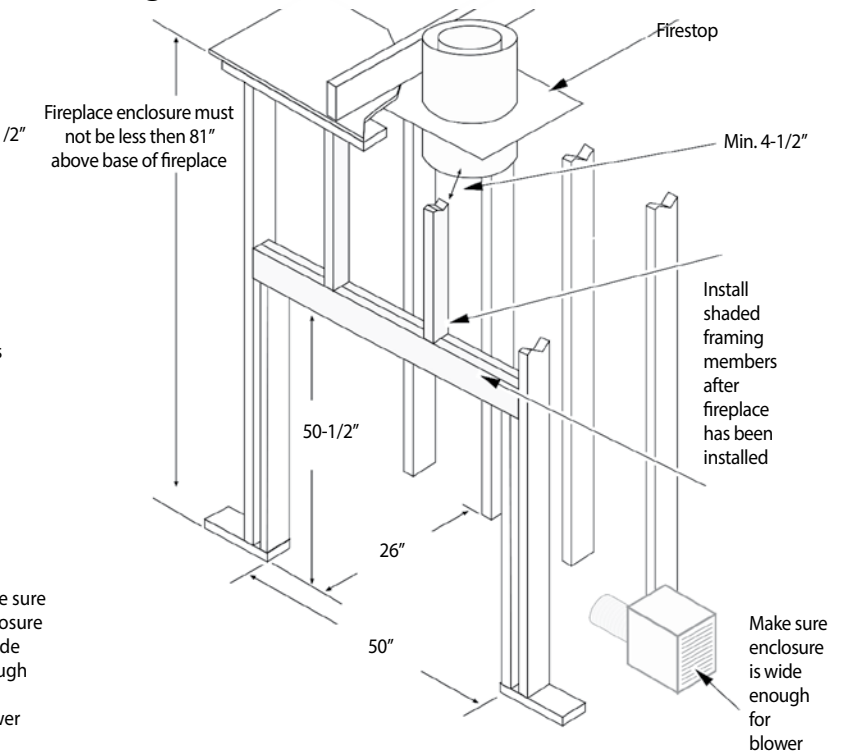
FireplaceX® Model 36 Elite™ is tested to 127-2015, ULC-610-M87 (R1998) & portions of 1482 & 907, Report #0028WF060S

FireplaceX® Model 44 Elite™ is tested to 127-2015, ULC-610-M87 (R1998) & portions of 1482 & 907, Report #0028WF0610S

44 ELITE™ INSTALLATION



Framing



APPROVED CHIMNEY

Use one of the following brands and series of air cooled chimney. Simpson DuraVent 8" x 12" FMI 8DM

WARRANTY

Your wood burning fireplace is backed by a network of specialty hearth dealers and certified factory-trained installers. FireplaceX® warranties our products to be free from defects in material and workmanship for a period of seven years from date of purchase. All parts, electronics and labor are covered for a full two years. No other manufacturer's warranty can compare.



FIRE SCREENS



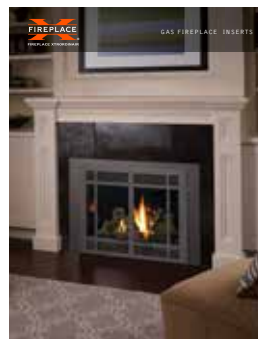
If you have young children or pets in your home, consider installing a fire screen. Make sure the fire screen is tall enough and placed far enough away so that reaching arms can't touch the surface of the fireplace. This will allow everyone in your home to safely enjoy the comfort and warmth of your new fireplace.

ADDITIONAL FIREPLACEX® PRODUCTS



Wood Burning Inserts

FireplaceX® offers three wood burning inserts, the Small Flush Wood Hybrid-Fyre™, the mid-sized Flush Wood Plus™ and the Large Flush Wood Hybrid-Fyre™. All three inserts are super clean burning, highly efficient and offer the revolutionary GreenStart™ auto wood igniter option.



Gas Burning Inserts

FireplaceX® offers a complete line of heater-rated wood and gas inserts to fit virtually any existing fireplace. Turn your old, open masonry or metal (zero clearance) fireplace into a clean, efficient source of heat for your home.



Traditional & Clean Face Gas Fireplaces

FireplaceX® offers a complete line of heater-rated gas fireplaces in both landscape, clean face and portrait-style designs. There are FireplaceX® gas fireplaces in many sizes, for every heating need and for virtually any room in your home.



Linear Gas Fireplaces

FireplaceX® offers a line of budget-minded ProBuilder™ heater-rated, linear fireplaces in 42", 54" and 72" lengths and a complete line of Deluxe high-heat linear gas fireplaces in 36", 44" and 60" lengths. The Deluxe fireplaces feature under-lit glass and a wide variety of optional interior liners and Fyre-Art™ log and stone kit options.



Manufactured By Travis Industries, Inc.
Mukilteo, Washington
Visit us online: www.fireplacex.com

Fireplace Xtrordinaire® Wood Burning Fireplaces are protected by one or more of the following patents: U.S. 9,170,025, 4,665,889 as well as other U.S. and Foreign Patents pending. Fireplace Xtrordinaire® reserves the right to alter or improve its products at any time without notification. All trademarks belong to Travis Industries, Inc. For installation specifications refer to the Owner's Manual found on the Fireplace Xtrordinaire® website.

