

36 Elite WOOD FIREPLACE

FIREPLACE
XTRORDINAIR
FIREPLACEX.COM



The 36 Elite is shown with the Black Painted Classic Arch™ with the Single Door.

The 36 Elite large catalytic wood fireplace combines elegant style with high performance heat to bring you an excellent home heater. This clean-burning fireplace features our exclusive Posi-Pressure technology that uses fresh outside air to provide optimal warmth by evenly heating your entire home.

Heating Capacity:	Up to 2,500 square feet*
Maximum Burn Time:	Up to 10 hours
Log Length:	24"
EPA Tested BTUs (Cord Wood):	17,906 – 69,747
Real World BTUs:	EPA tests to determine BTU output are achieved with a single load of wood at each burn rate. At home, you are likely to add more wood to your stove to maintain your desired comfort level. By the simple process of loading your stove with additional wood, you could achieve up to a 20% higher heat output than established during EPA testing.
Emissions:*	1.3 grams/particulate per hour (Cord Wood)
LHV Overall Efficiency:**	Up to 77%
HHV Overall Efficiency:**	Up to 72%
Firebox:	3.0 cubic feet
Glass Viewing Area:	Ceramic Glass, Double Door: 11-1/4" W x 14-1/2" H (each side), 300.6 Sq. In. Ceramic Glass, Single Door: 25-1/4" W x 14-1/2" H, 319.7 Sq. In.

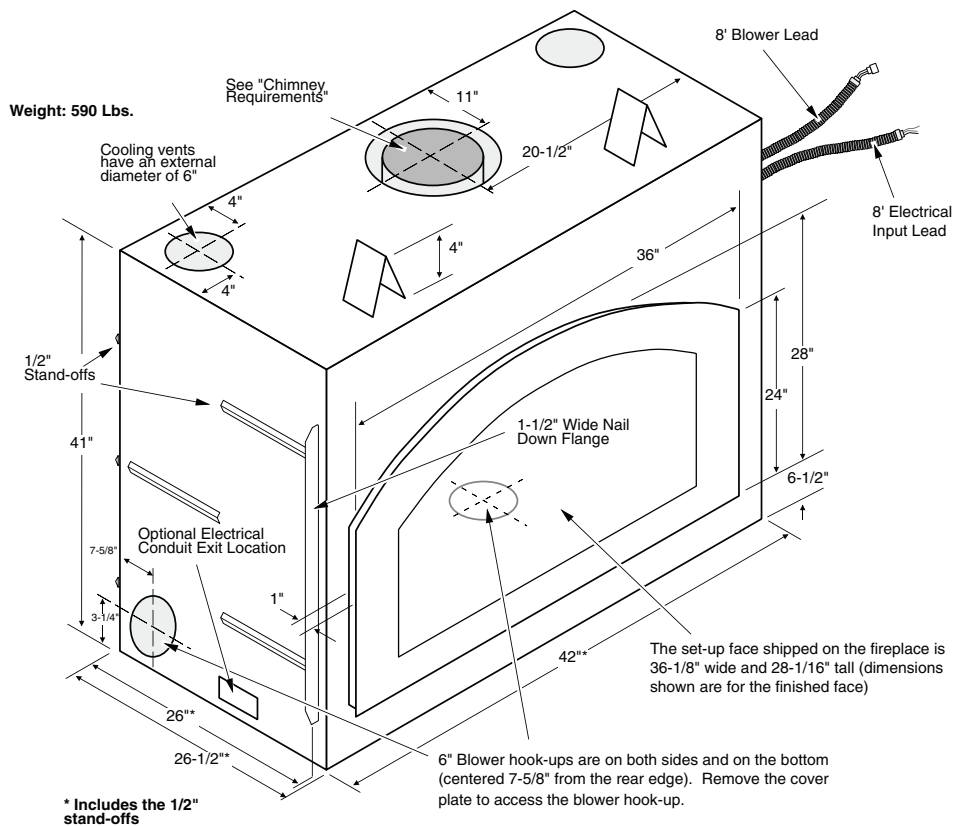
*Heating Capacity will vary with floor plan, insulation and outdoor temperature.

**Overall efficiency as tested using B-415.1 using Cord Wood. LHV = Low Heat Value, HHV = High Heat Value.

36 Elite Framing Guide

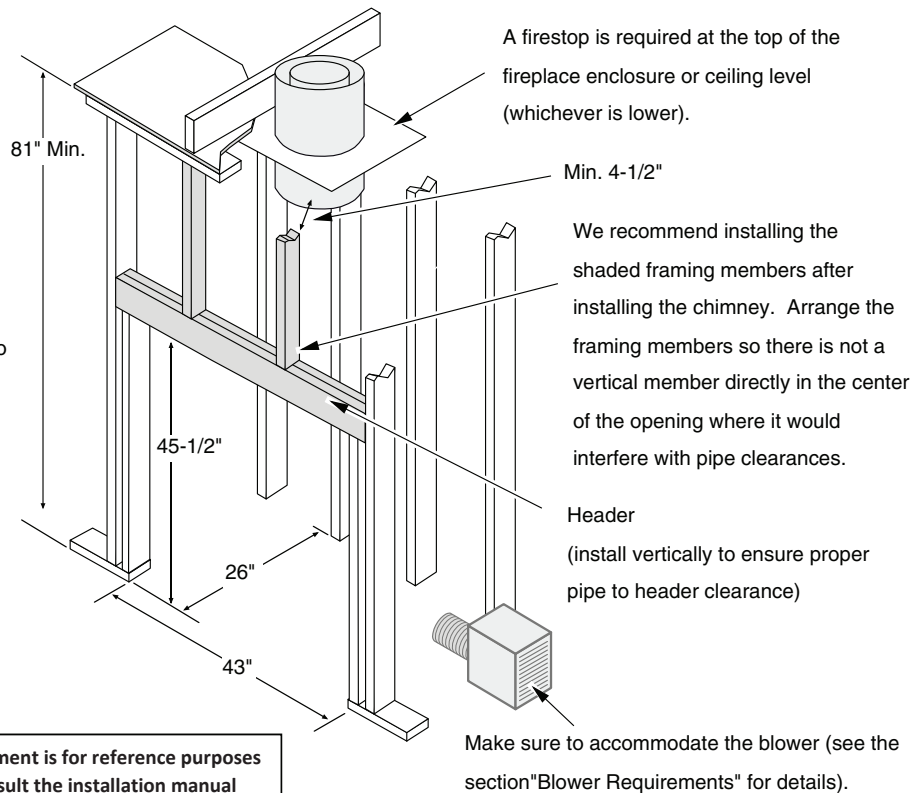


12521 Harbour Reach Drive
Mukilteo, WA 98275-5458



The fireplace enclosure must be a minimum 81" tall (above the base of the fireplace).

- If the fireplace is raised, the enclosure height must be raised to maintain the 81".
- Do not build into this area.
- Do not slope the walls inward.



Scan for
Installation Manual



This document is for reference purposes only. Consult the installation manual BEFORE making installation decisions.

FIREPLACE
XTRORDINAIR

Manufactured in
Mukilteo, WA
By Travis Industries

© 08/2021