

6015 High Output Deluxe PREMIUM LINEAR GAS FIREPLACE



This restaurant features the 6015 High Output with the Gallery Face, Black Enamel Fireback, Rock Ember Media, and Tumbled Stone Kit.

As the largest model in our High Output Linear lineup, the 6015 HO is an excellent home heater and statement piece for great rooms and grand spaces. This model brings the heat with an impressive 56,000 BTUs and 2,800 square foot heating capacity. This “clean face” fireplace offers you the choice of elegant, decorative trims and optional Fyre-Art™. The 6015 HO is a Deluxe model that features the GreenSmart® Remote Control, Accent Lights and a 180 CFM convection fan.

Fyre-Art™ (Optional)

Although not required, these decorative options allow you to personalize your fireplace with a little added style.



Birch Log Set



Driftwood Log Set



Tumbled Stone Kit



Driftwood Twigs and Stones Fyre-Art™ Kit



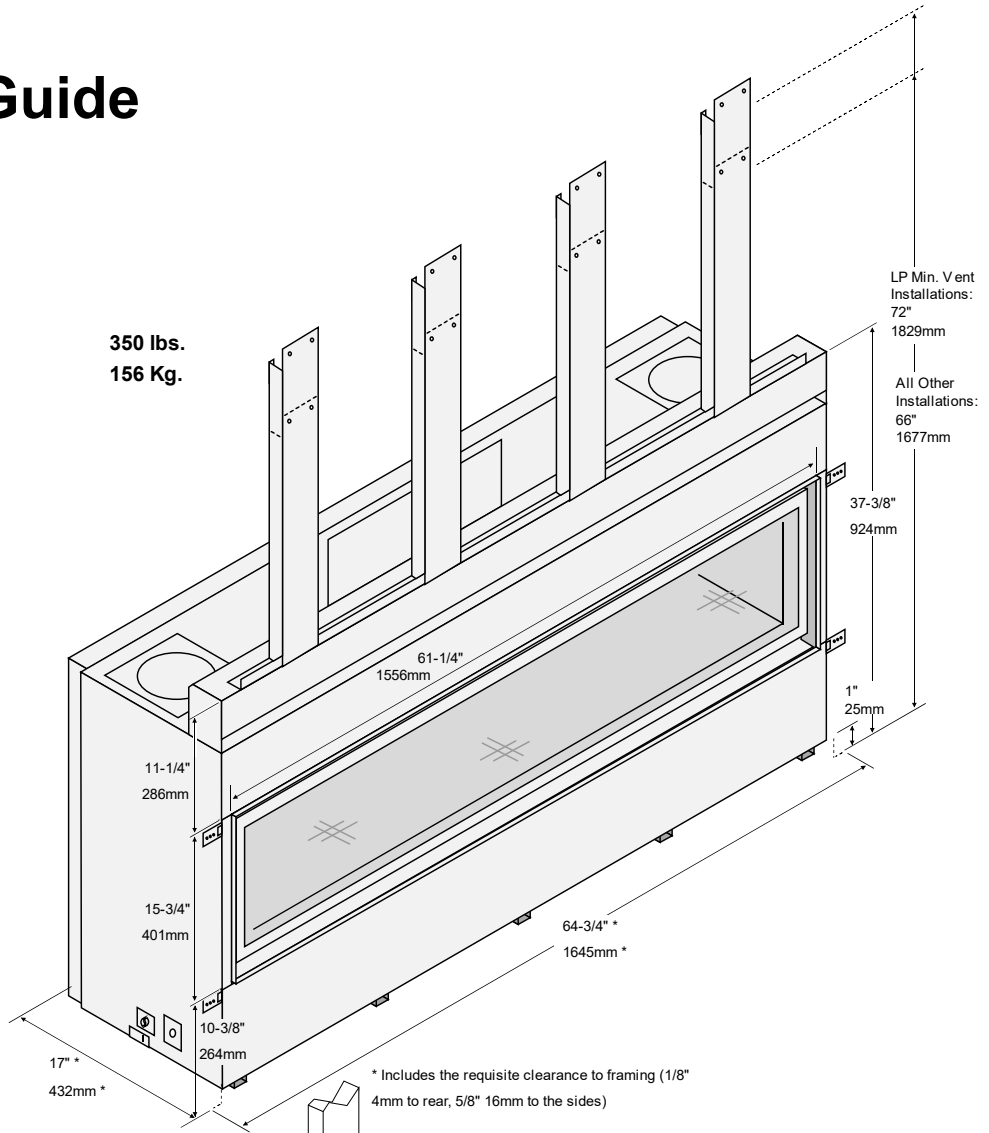
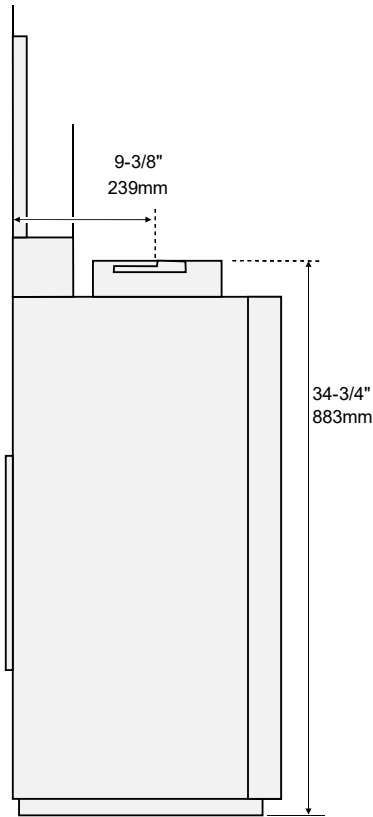
Traditional Log Set

6015 HO Framing Guide



12521 Harbour Reach Drive
Mukilteo, WA 98275-5458

350 lbs.
156 Kg.



* Includes the requisite clearance to framing (1/8" 4mm to rear, 5/8" 16mm to the sides)

* Includes the requisite clearance to framing (1/8" 4mm to rear, 5/8" 16mm to the sides)

LP 72" 1829mm
NG 66" 1677mm

LP 72" 1829mm
NG 66" 1677mm

64-3/4" 1645mm

17" 432mm

This document is for reference purposes only. Consult the installation manual BEFORE making installation decisions.

Scan for Installation Manual

