



**TRAVIS
INDUSTRIES®
HOUSE OF FIRE®**

Gas Fireplace Framing Guide 2020

Models			
21 TRV	3615 HO	ProBuilder 42 Linear	ProBuilder 24 CF
564 TRV 25K	4415 HO	ProBuilder 54 Linear	ProBuilder 36 CF
564 TRV 25K CF	4415 HO ST	ProBuilder 72 Linear	ProBuilder 42 CF
564 HO	6015 HO		
864 TRV 31K	4237 Clean Face		
864 TRV 31K CF			
854 ST			

**NOTE: FOR GENERAL REFERENCE ONLY.
Always consult the product installation manual
for detailed installation information.**

**Manuals can be found at
www.fireplacex.com**

or

by scanning the
QR code on each page

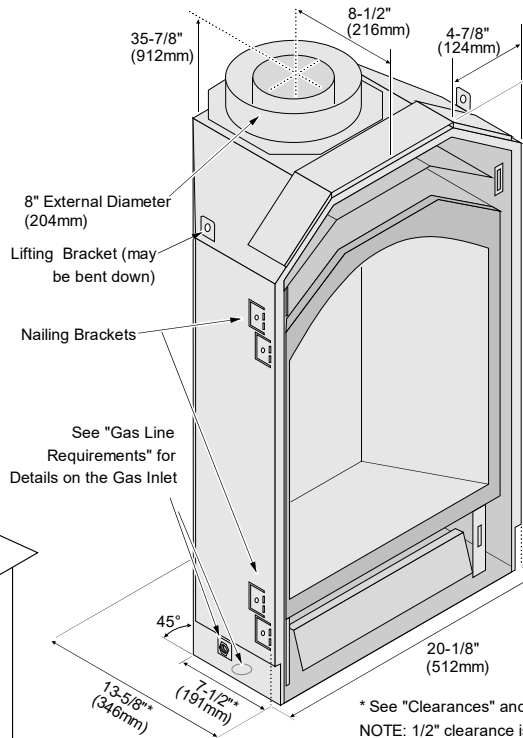


21TRV Framing Guide

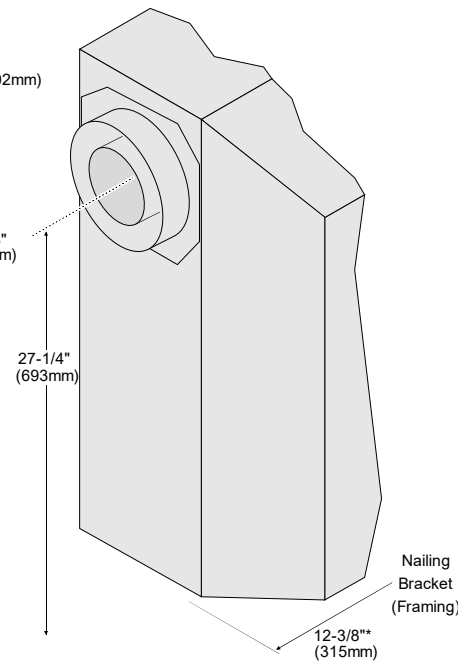


12521 Harbour Reach Drive
Mukilteo, WA 98275-5458

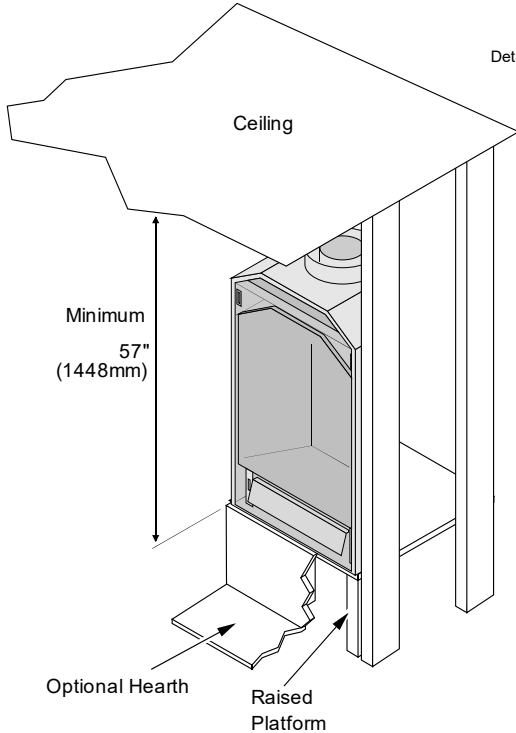
Top Vent Configuration



Rear Vent Configuration



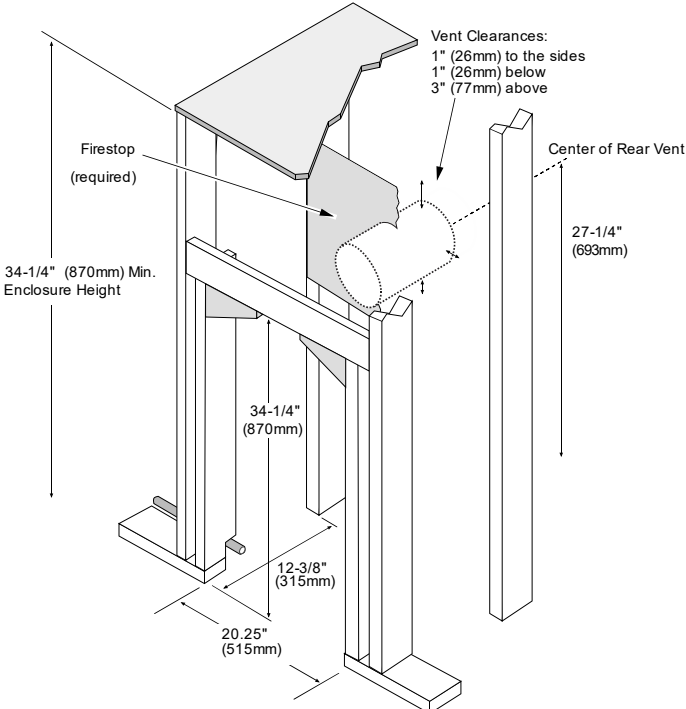
* See "Clearances" and "Framing Dimensions" for details.
NOTE: 1/2" clearance is required to the angled sides and rear of the fireplace.



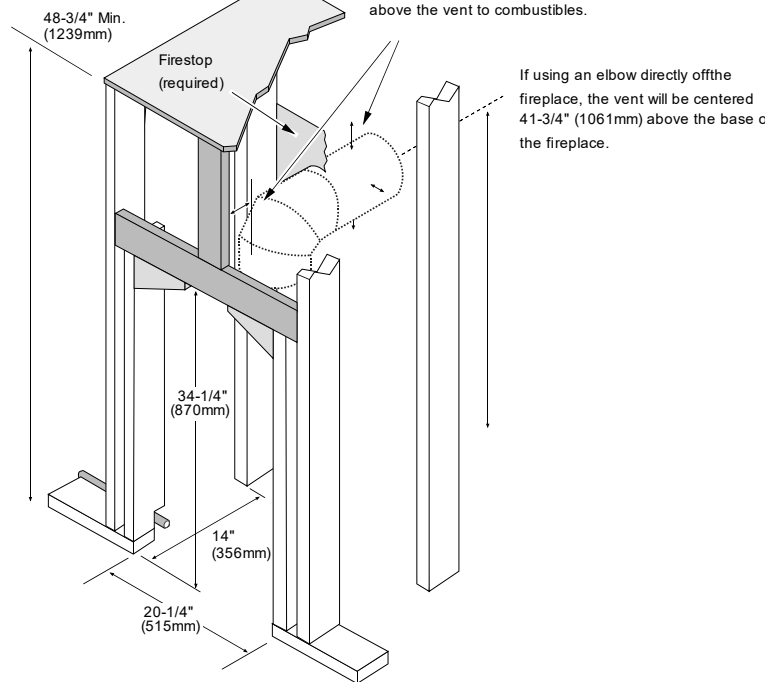
Scan for Installation Manual



This document is for reference purposes only. **Consult the installation manual BEFORE making installation decisions.**



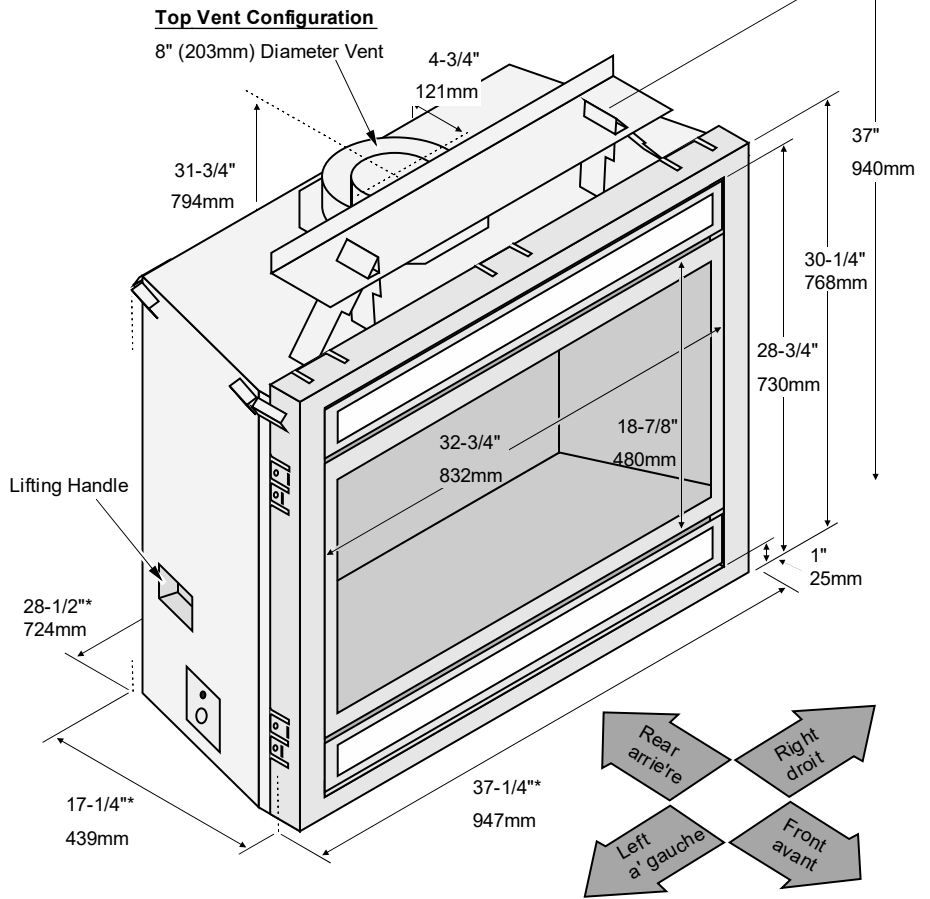
Vent Clearances:
1" (26mm) to the sides, 1" (26mm) below and 3" (77mm) above the vent to combustibles.



564 TRV 25K Framing Guide

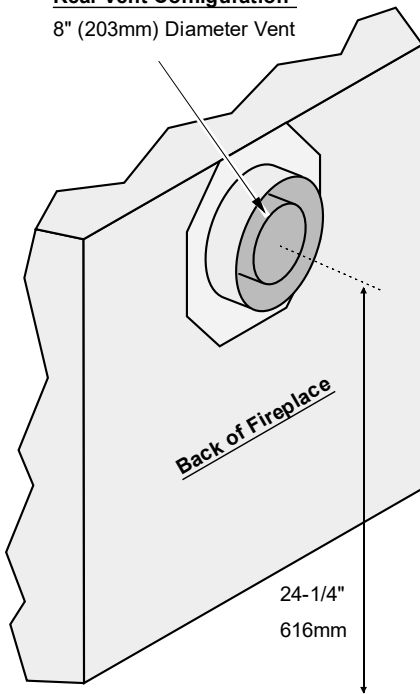


12521 Harbour Reach Drive
Mukilteo, WA 98275-5458

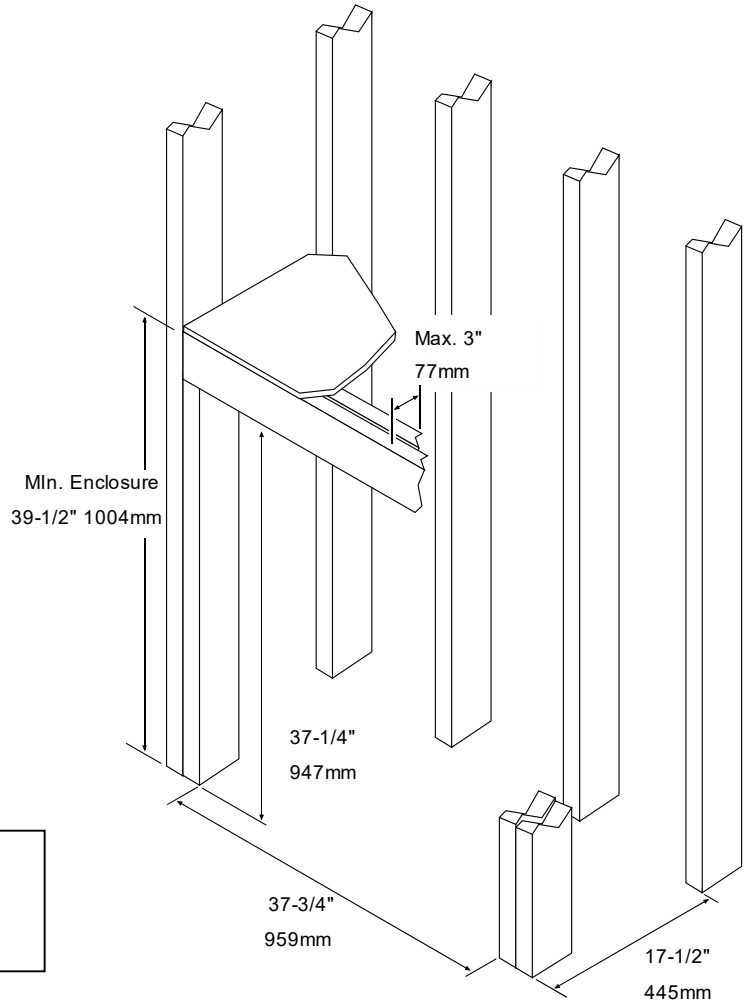


Rear Vent Configuration

8" (203mm) Diameter Vent



* Includes 1/2" (13mm) clearance - see "Clearances" and "Framing Dimensions" for details.



Scan for
Installation Manual



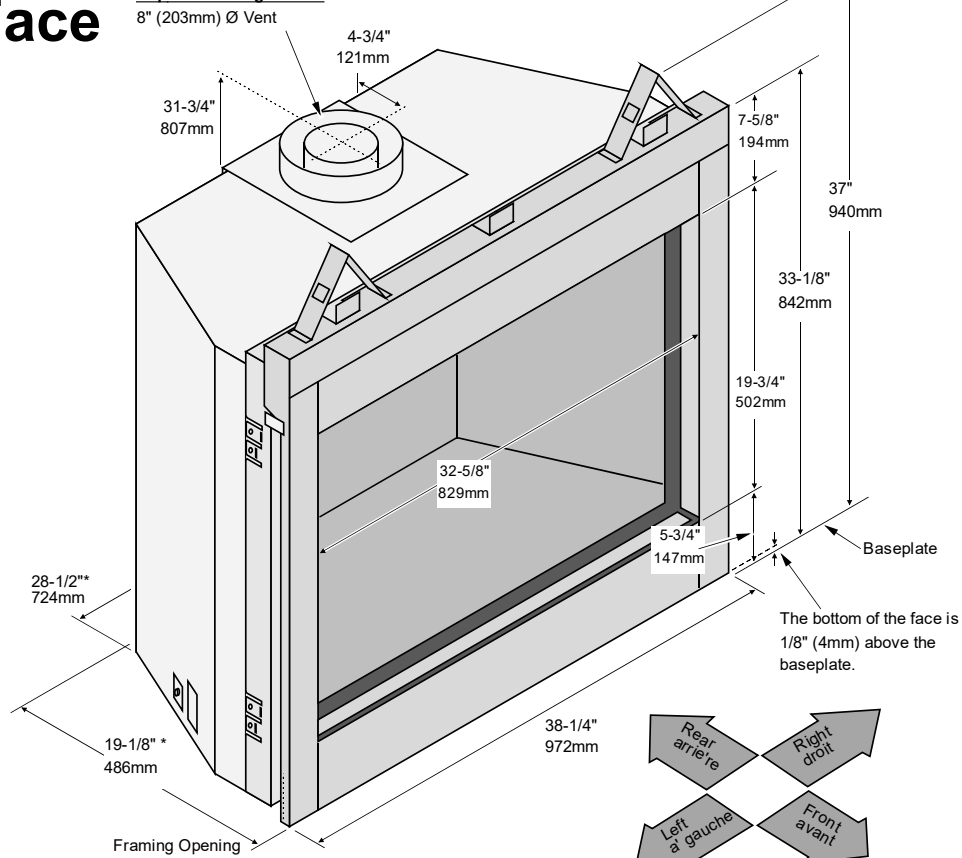
This document is for reference purposes only. **Consult the installation manual BEFORE making installation decisions.**

564 TRV 25K CleanFace Framing Guide



12521 Harbour Reach Drive
Mukilteo, WA 98275-5458

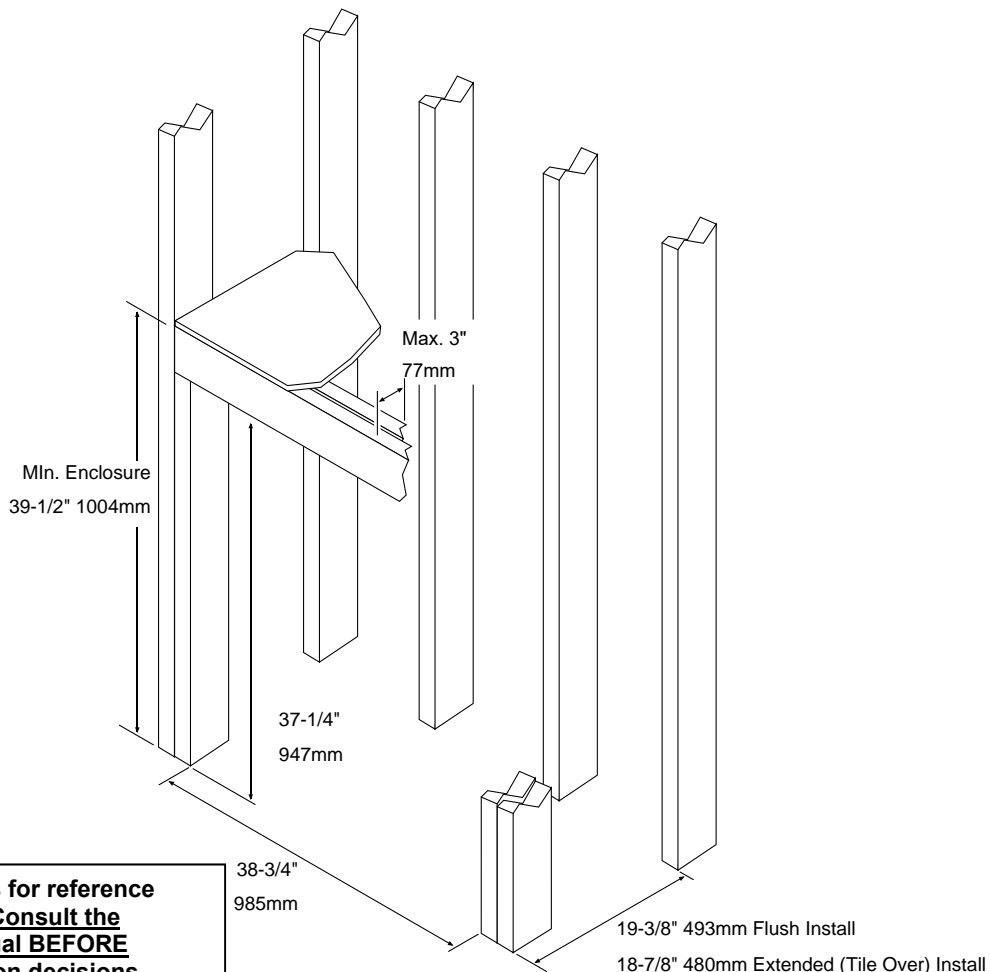
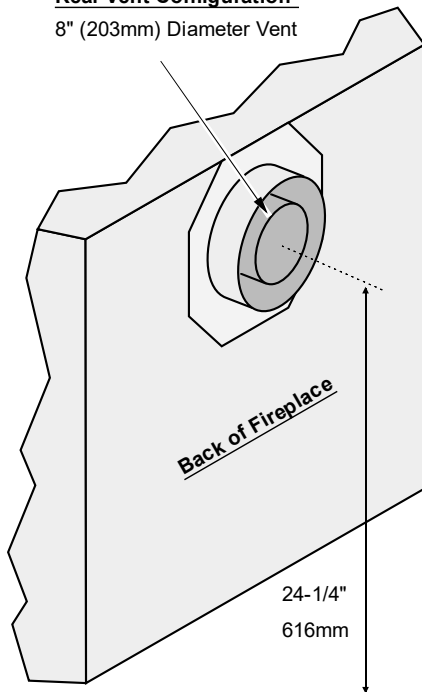
Top Vent Configuration



* See "Clearances" and "Framing Dimensions" for details.

Rear Vent Configuration

8" (203mm) Diameter Vent



Scan for
Installation Manual

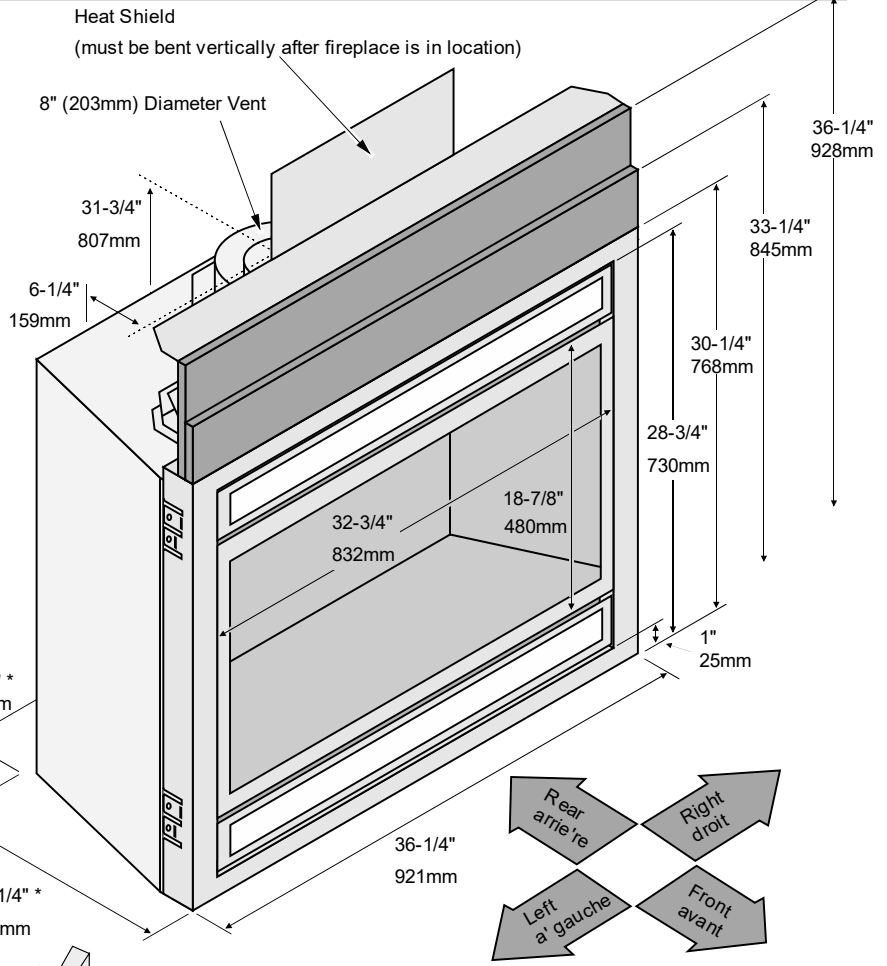


This document is for reference purposes only. **Consult the installation manual BEFORE making installation decisions.**

564 HO NB Framing Guide

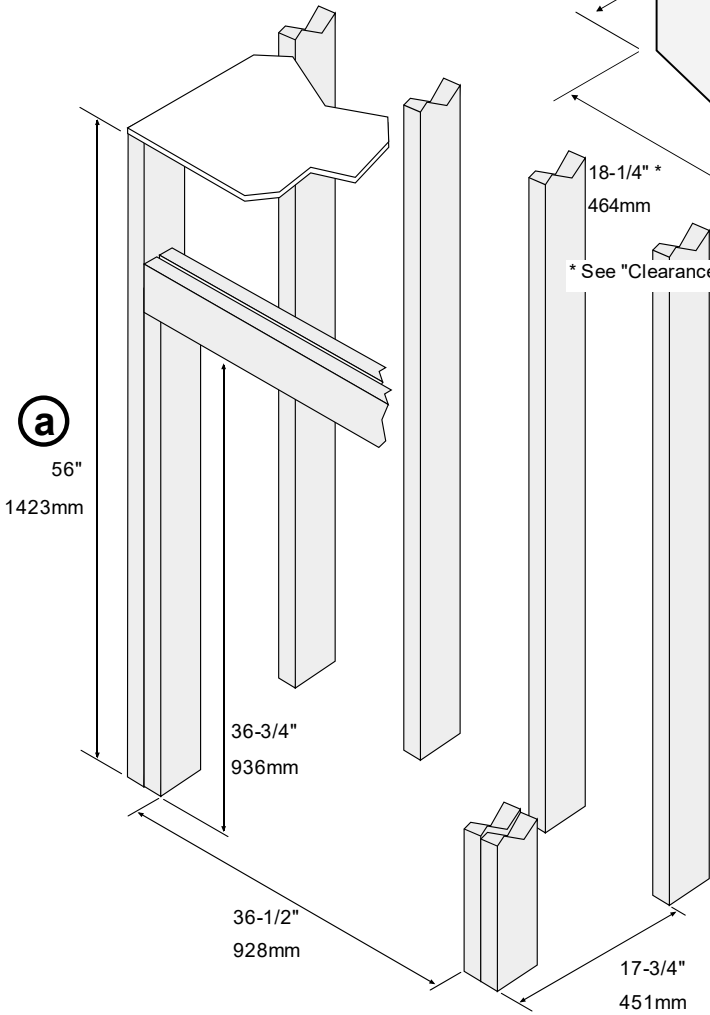


12521 Harbour Reach Drive
Mukilteo, WA 98275-5458



* See "Clearances" and "Framing Dimensions" for details.

Weight: 165 Lbs. (74 kg)



(a) Minimum Enclosure Height

This document is for reference purposes only. Consult the installation manual **BEFORE** making installation decisions.

Scan for Installation Manual

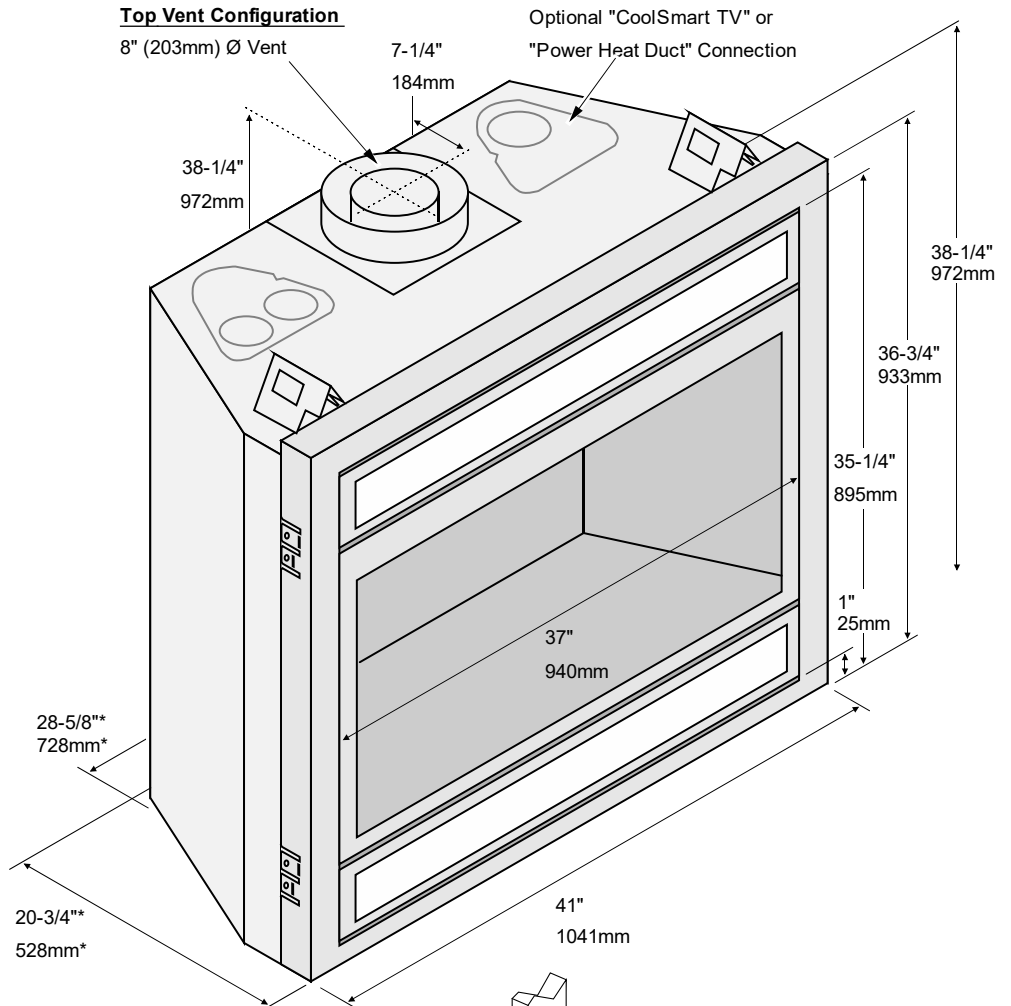


864 TRV 31K Framing Guide



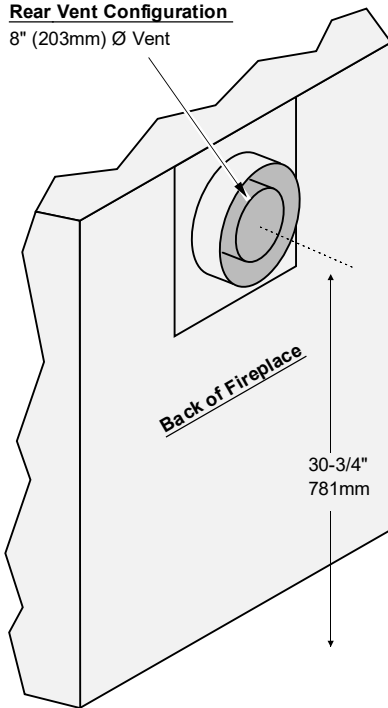
12521 Harbour Reach Drive
Mukilteo, WA 98275-5458

Top Vent Configuration



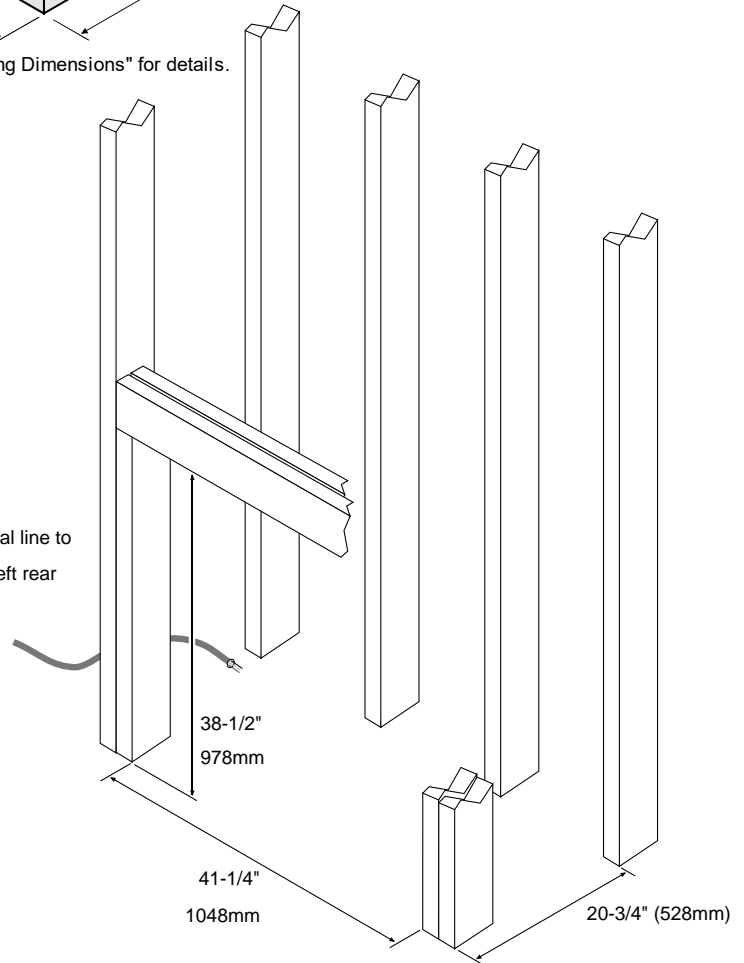
Rear Vent Configuration

8" (203mm) Ø Vent



* See "Clearances" and "Framing Dimensions" for details.

Route the electrical line to a position to the left rear of the fireplace.



Minimum enclosure height = 38-1/2" (978mm)

This document is for reference purposes only. **Consult the installation manual BEFORE making installation decisions.**

Scan for Installation Manual



864 TRV 31K CleanFace Framing Guide

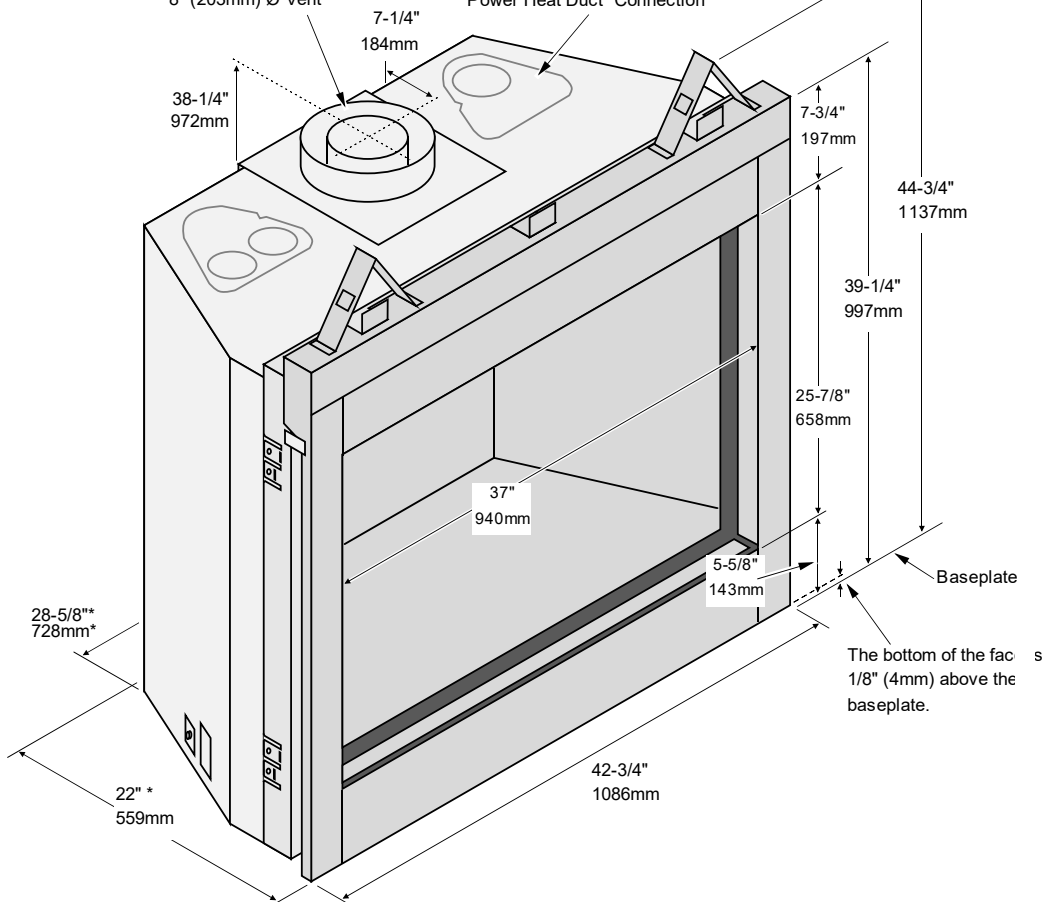


12521 Harbour Reach Drive
Mukilteo, WA 98275-5458

Top Vent Configuration

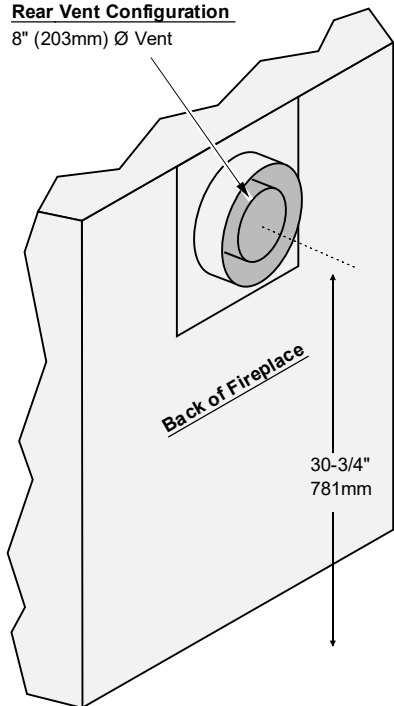
8" (203mm) Ø Vent

Optional "CoolSmart TV" or
"Power Heat Duct" Connection

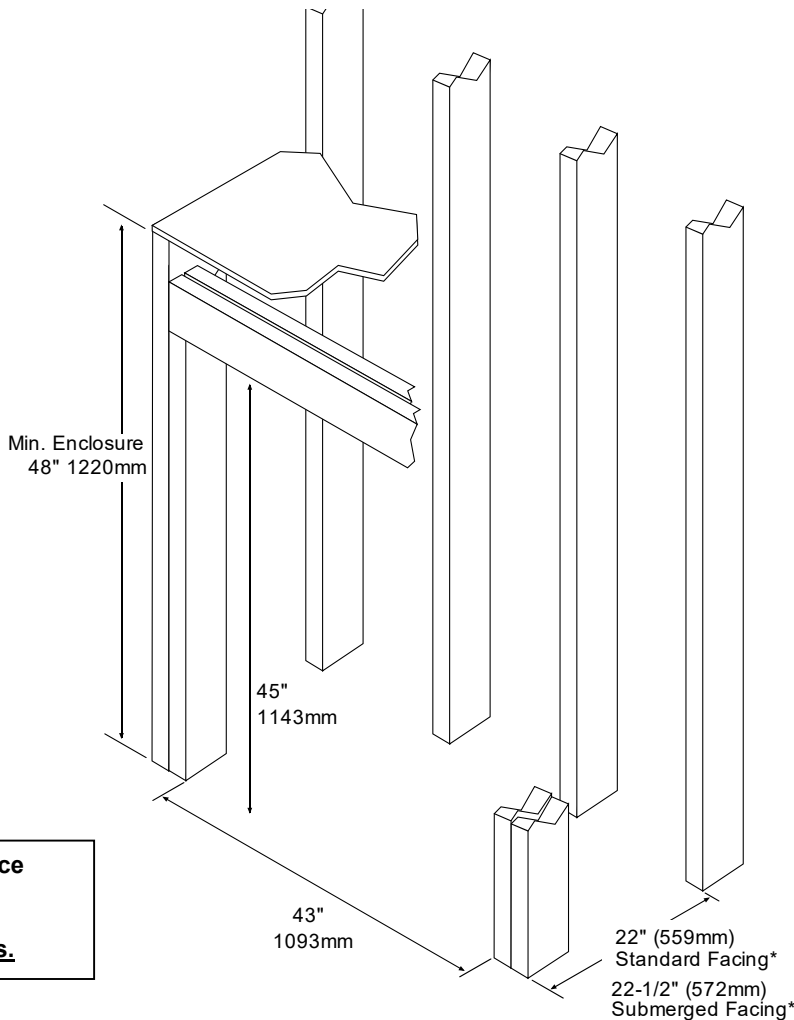


Rear Vent Configuration

8" (203mm) Ø Vent



* See "Clearances" and "Framing Dimensions" for details.



Scan for
Installation Manual

This document is for reference purposes only. **Consult the installation manual BEFORE making installation decisions.**

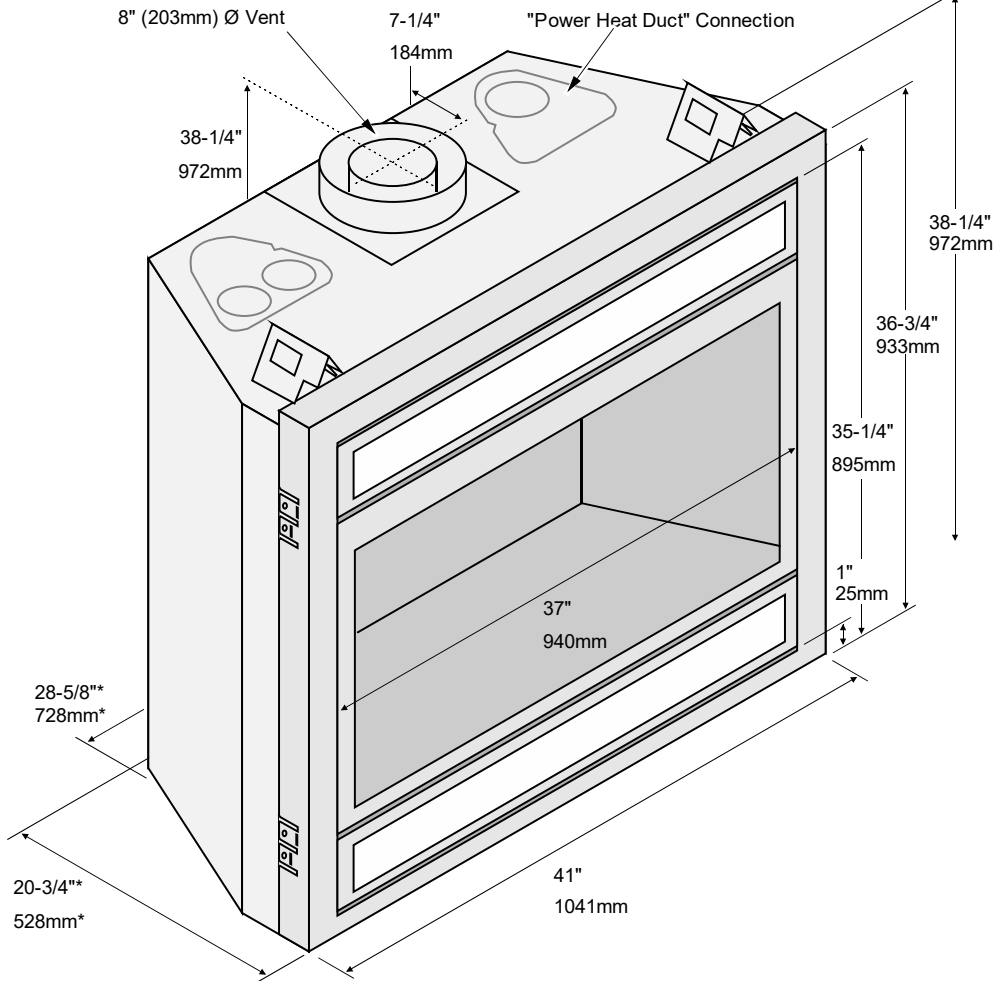
864 TV 40K Framing Guide



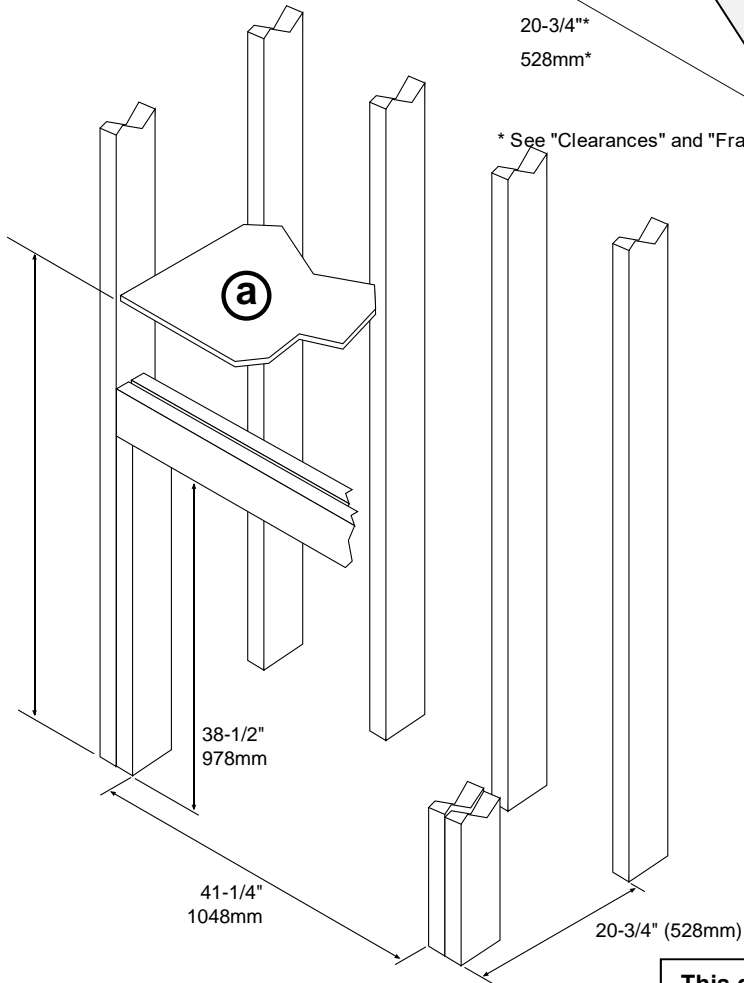
12521 Harbour Reach Drive
Mukilteo, WA 98275-5458

Top Vent Configuration

Optional "CoolSmart TV" or
"Power Heat Duct" Connection



* See "Clearances" and "Framing Dimensions" for details.



(a) Min. enclosure height NG = 62-3/4" (1594mm)
Min. enclosure height LP = 74-3/4" (1899mm)

This document is for reference purposes only. Consult the installation manual BEFORE making installation decisions.

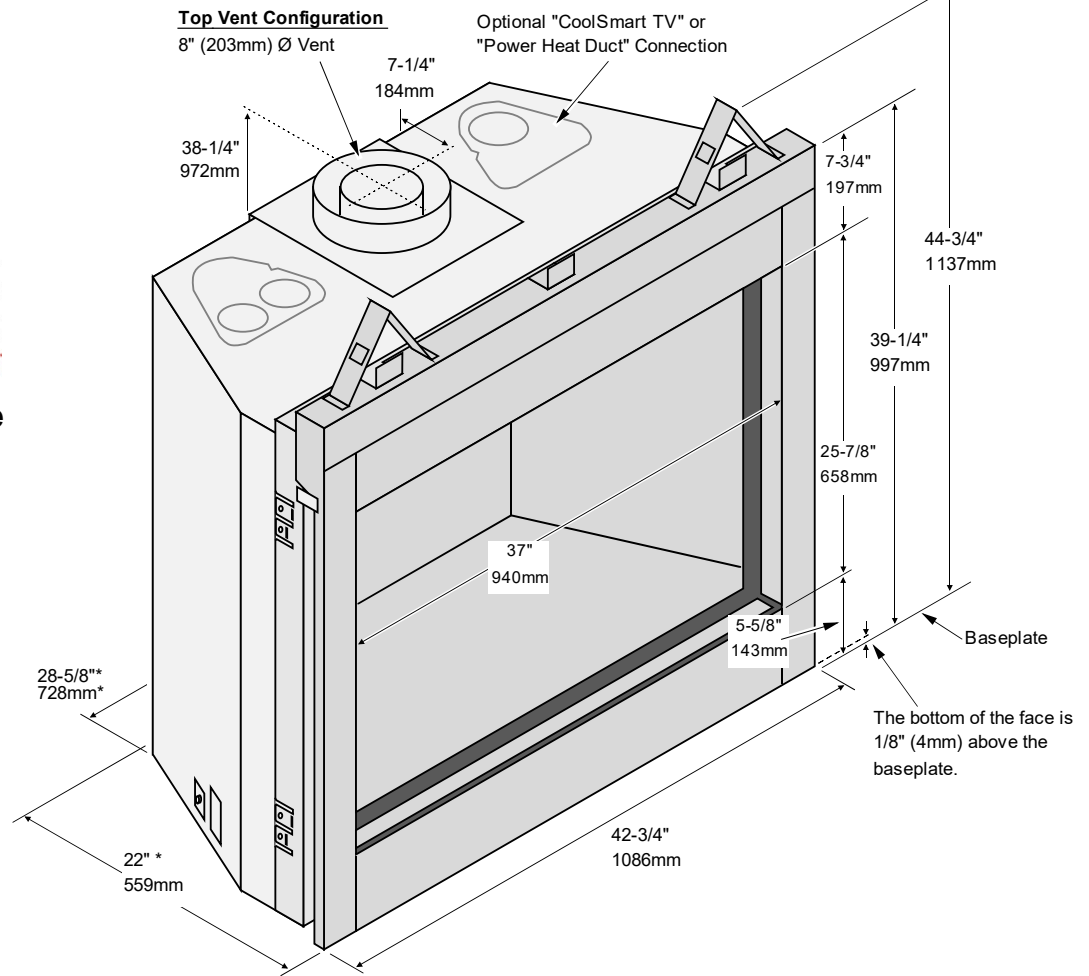
Scan for
Installation Manual



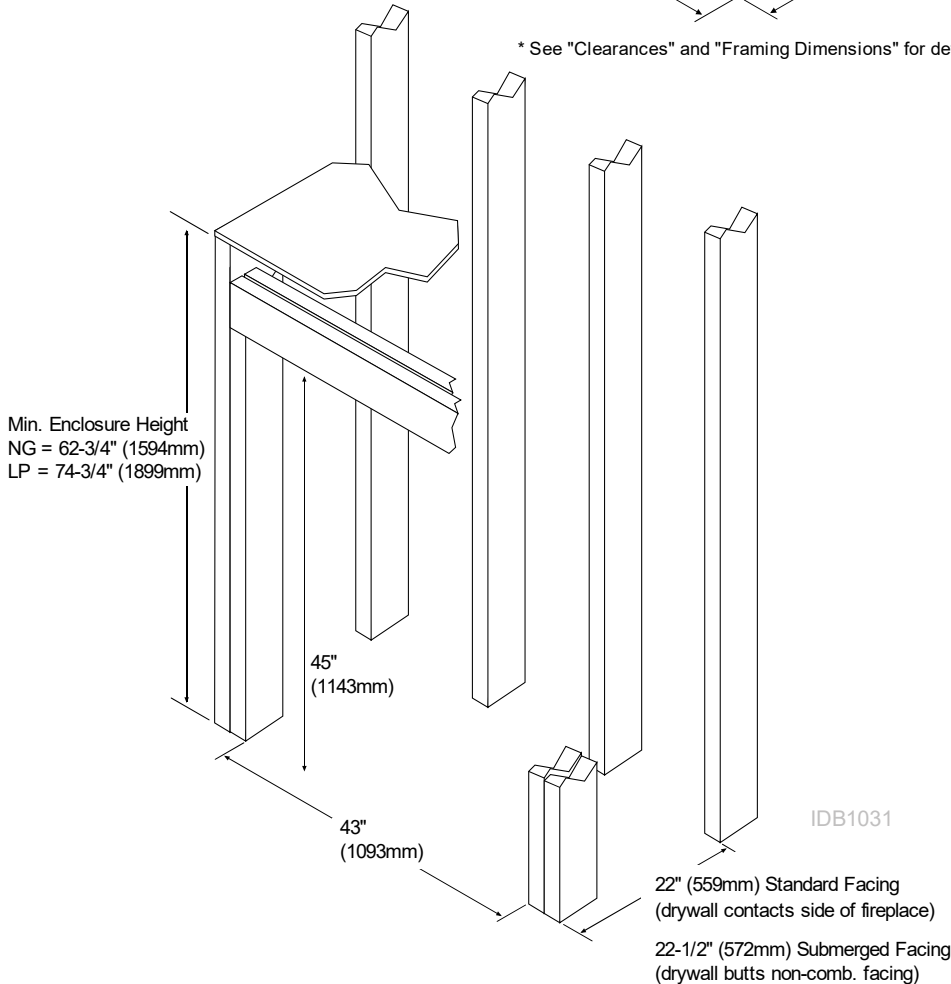
864 TV 40K CleanFace



12521 Harbour Reach Drive
Mukilteo, WA 98275-5458



* See "Clearances" and "Framing Dimensions" for details.



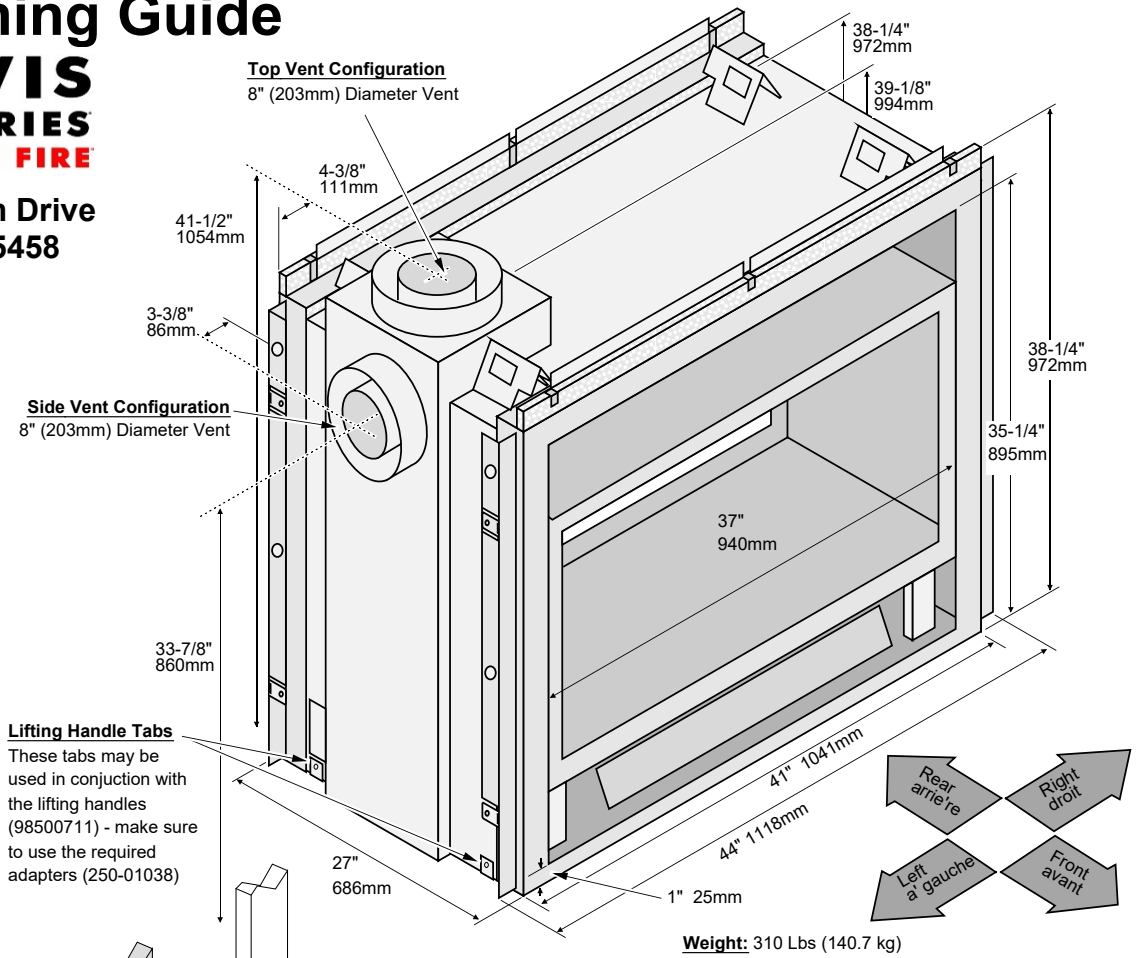
This document is for reference purposes only. **Consult the installation manual BEFORE making installation decisions.**

Scan for
Installation Manual

864ST Framing Guide



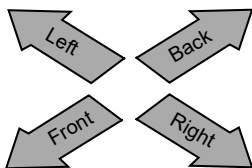
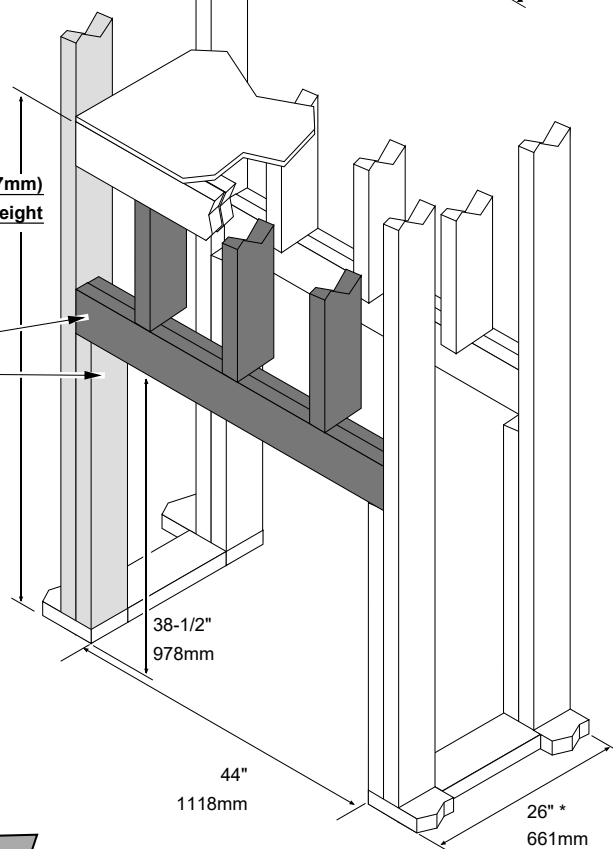
12521 Harbour Reach Drive
Mukilteo, WA 98275-5458



Minimum 42" (1067mm) Fireplace Enclosure Height

NOTE:
The shaded framing must be installed after placing the fireplace in position.

The framing above the fireplace interferes with the top of the fireplace. If using the side vent configuration, do not install the framing to the left side (shown in light gray).



* The 26" (661mm) dimension is based upon 1/2" (13mm) drywall around the perimeter of the fireplace on both sides. If using thicker drywall (or other facing), you will need to adjust this dimension.

This document is for reference purposes only. Consult the installation manual BEFORE making installation decisions.

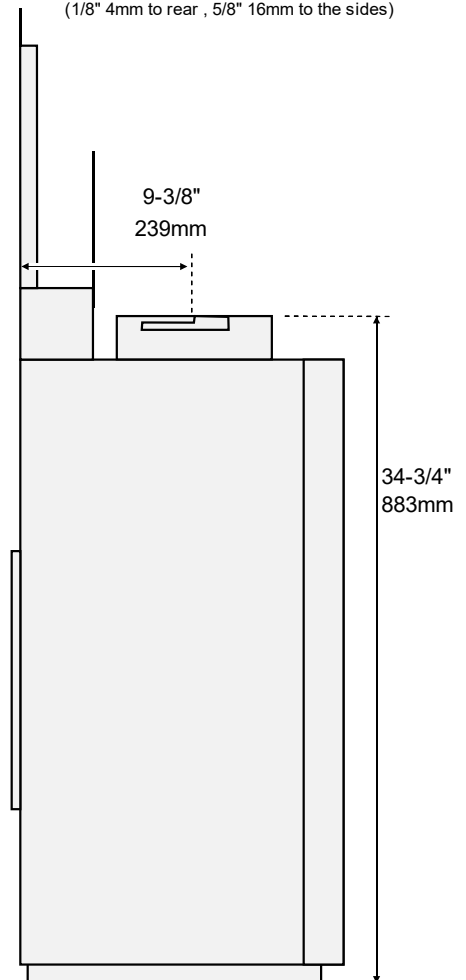
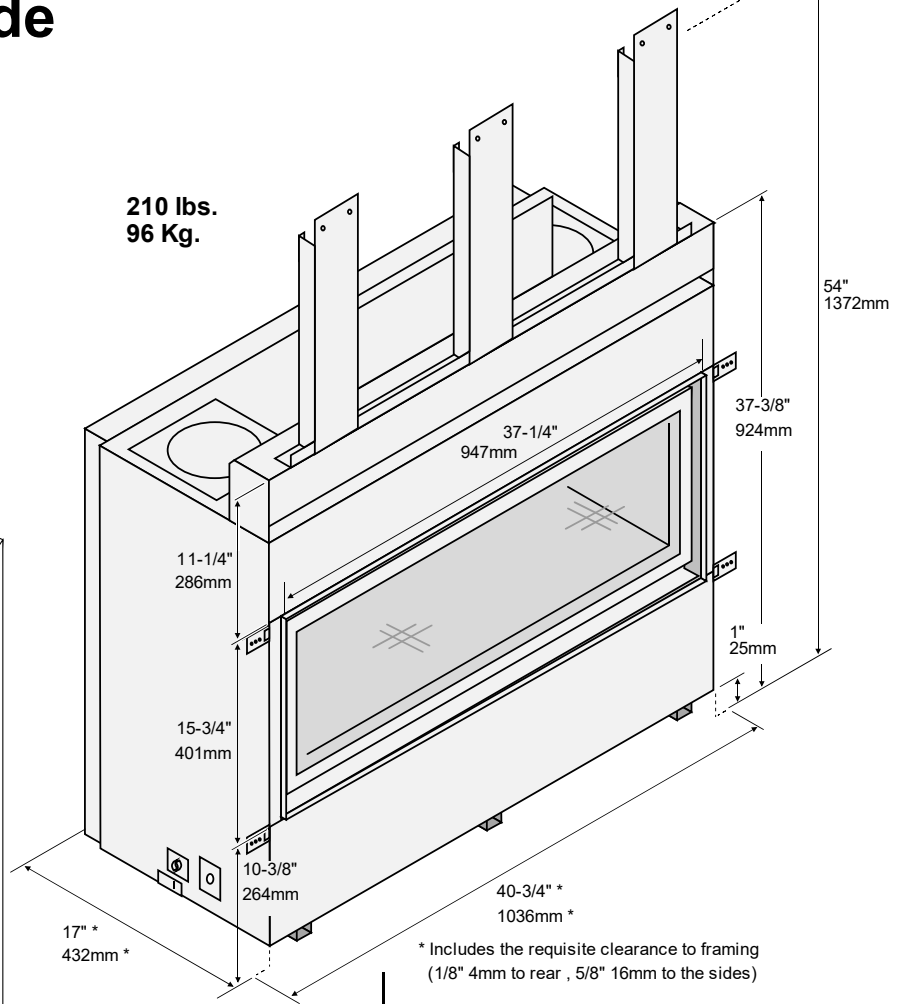
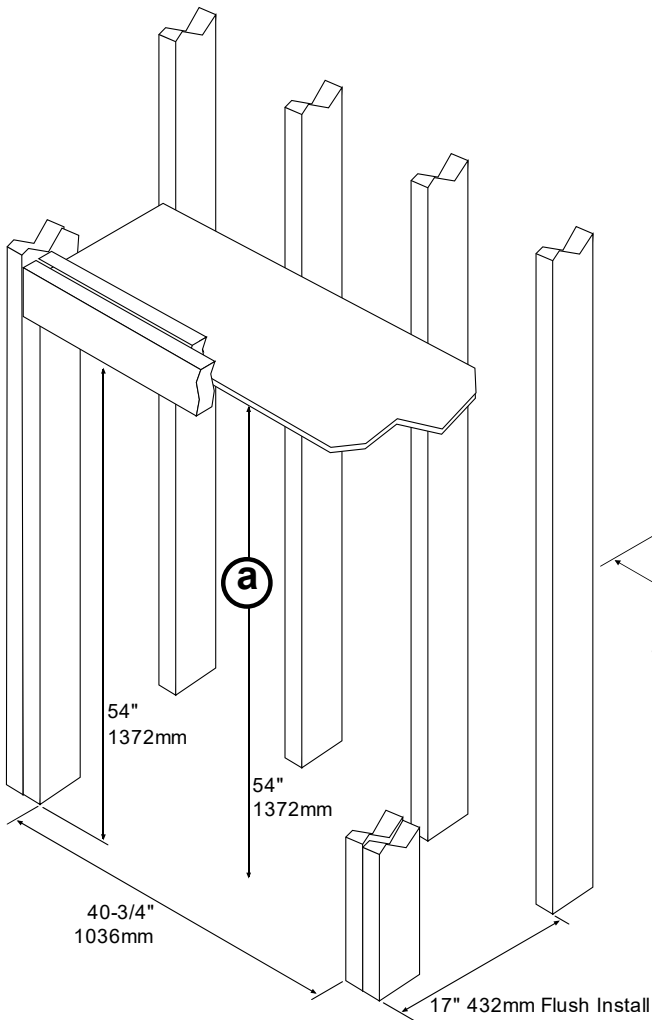


3615HO Framing Guide



12521 Harbour Reach Drive
Mukilteo, WA 98275-5458

210 lbs.
96 Kg.



a The fireplace enclosure must be a minimum 54" 1372mm tall (do not build into the fireplace)

Scan for
Installation Manual

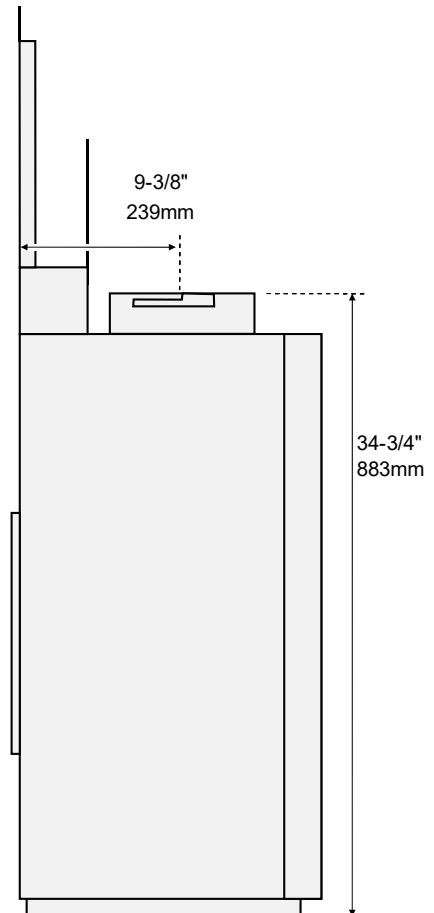
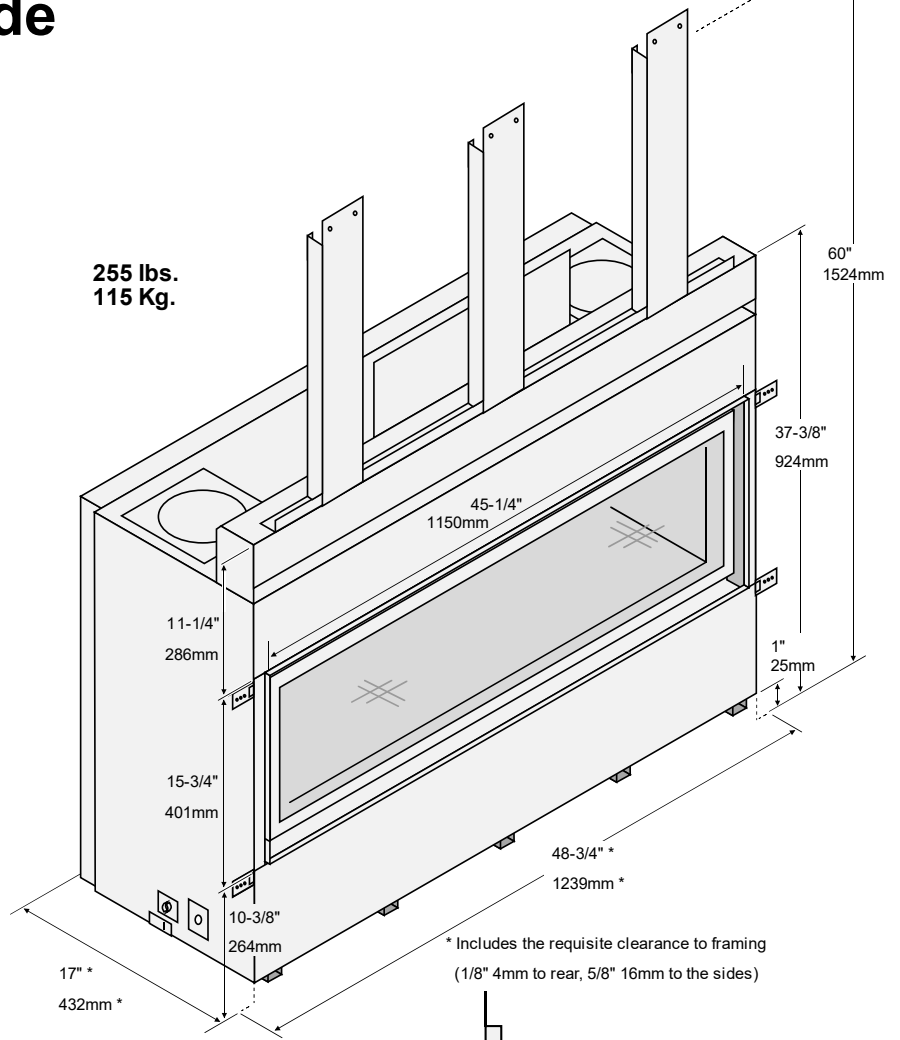
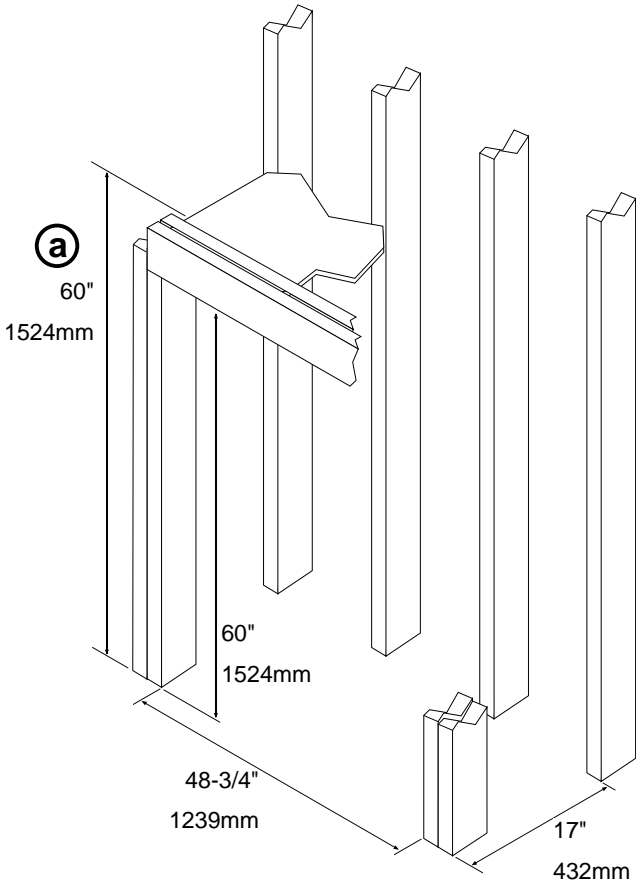
This document is for reference purposes only. Consult the installation manual BEFORE making installation decisions.

4415HO Framing Guide



12521 Harbour Reach Drive
Mukilteo, WA 98275-5458

255 lbs.
115 Kg.



(a) The fireplace enclosure must be a minimum 60" tall (do not build into the fireplace)



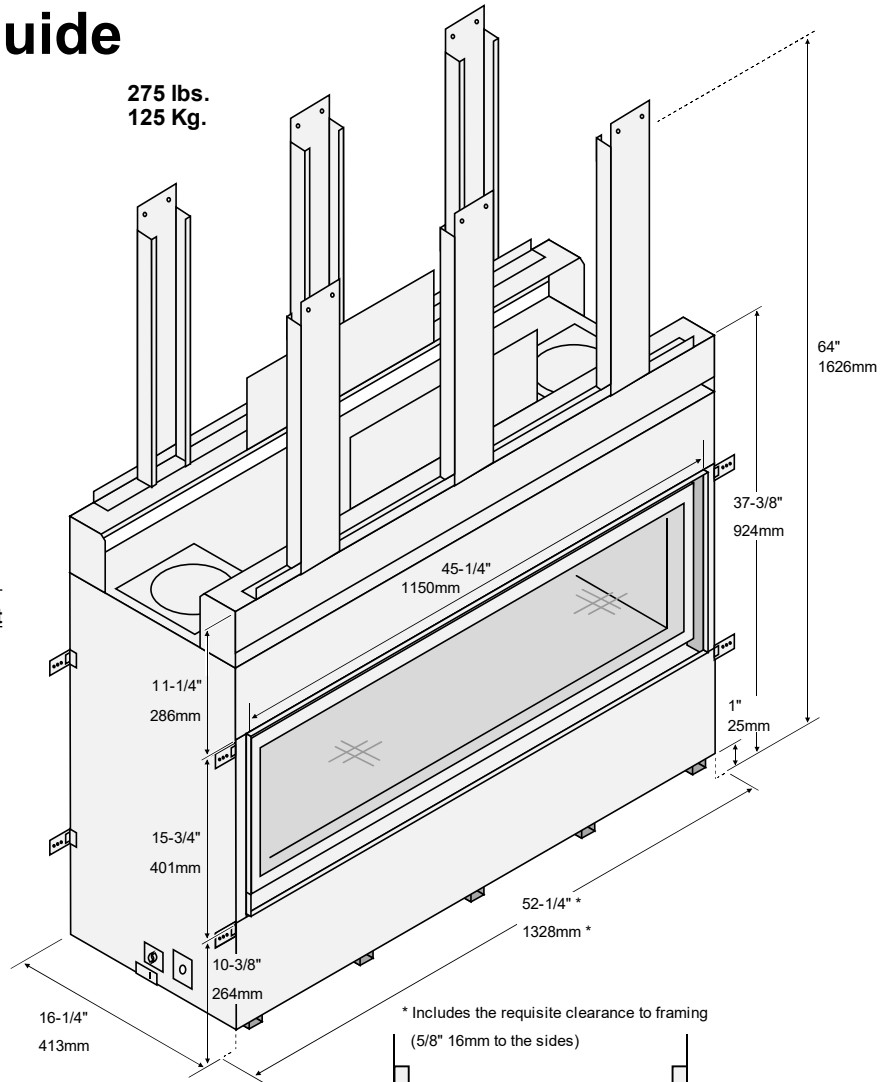
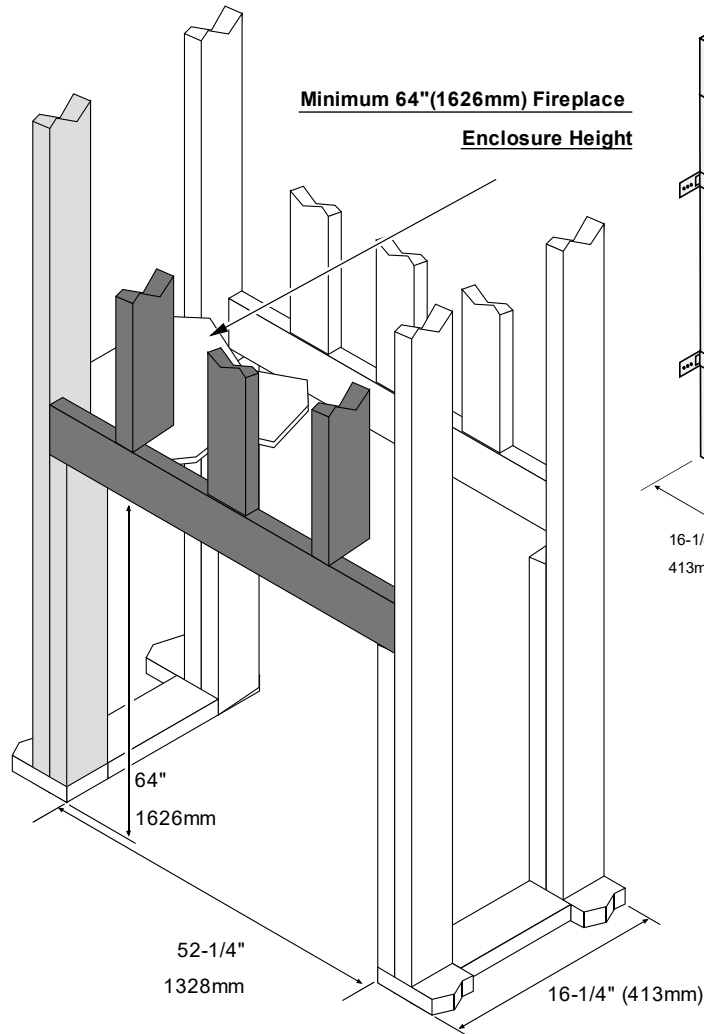
This document is for reference purposes only. **Consult the installation manual BEFORE making installation decisions.**

4415 HO ST Framing Guide

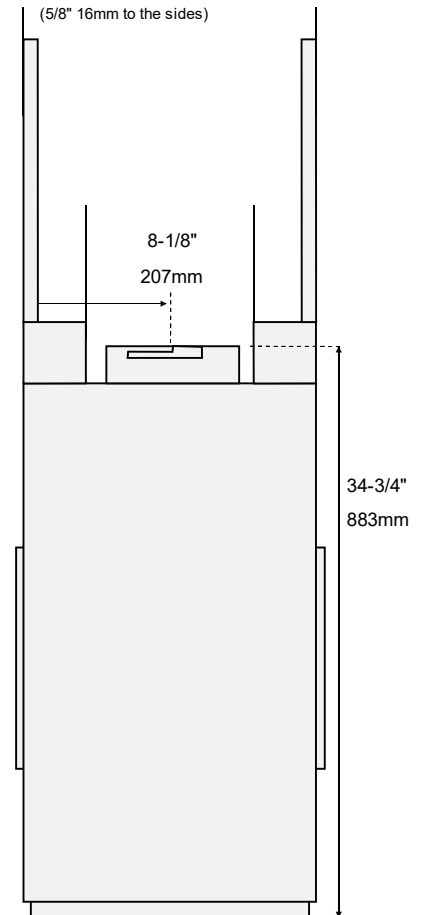


12521 Harbour Reach Drive
Mukilteo, WA 98275-5458

275 lbs.
125 Kg.



* Includes the requisite clearance to framing
(5/8" 16mm to the sides)



Scan for
Installation Manual



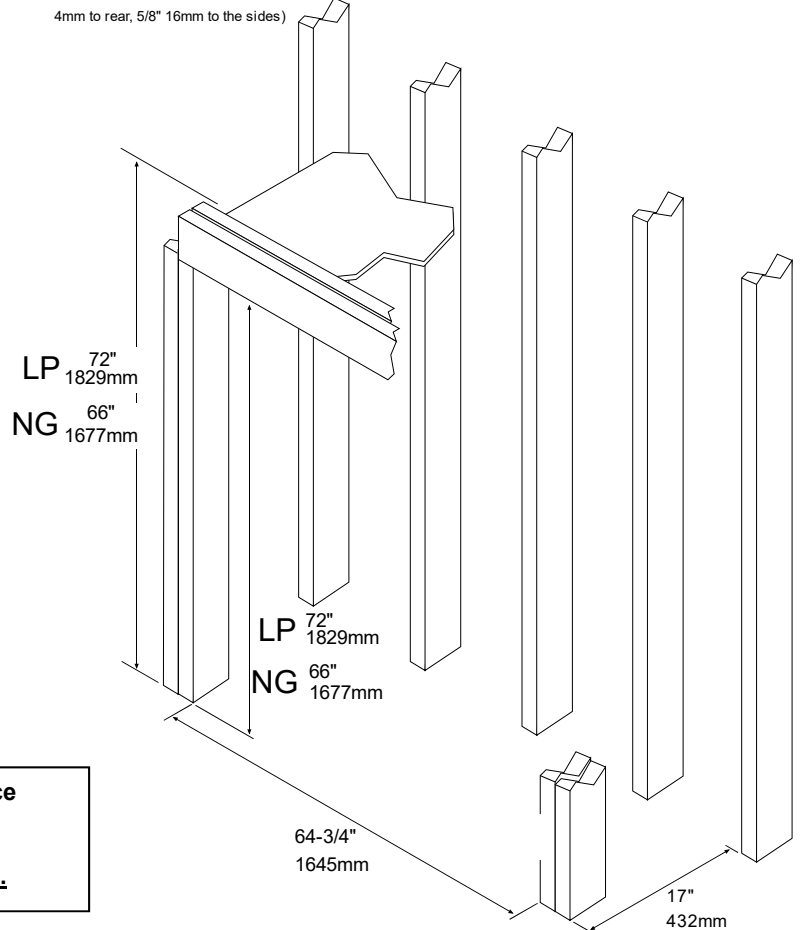
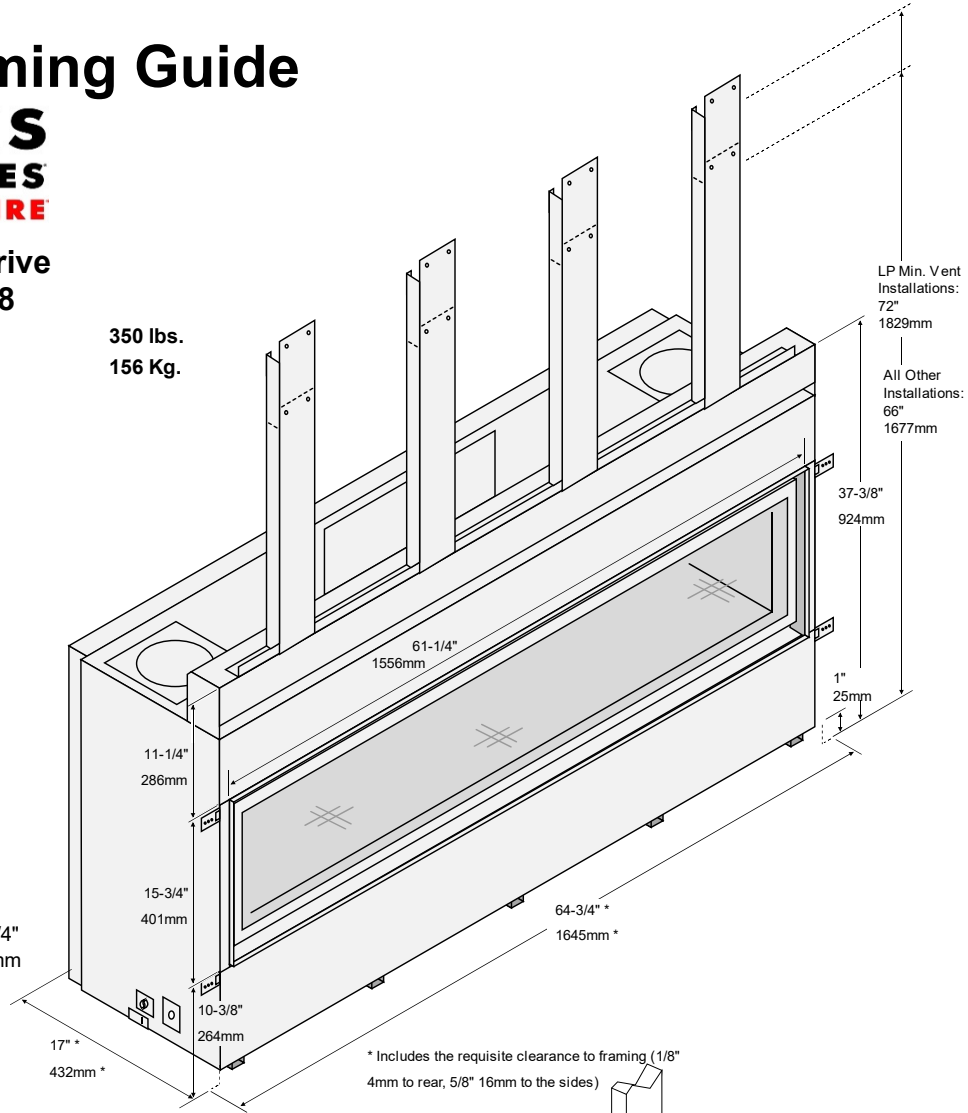
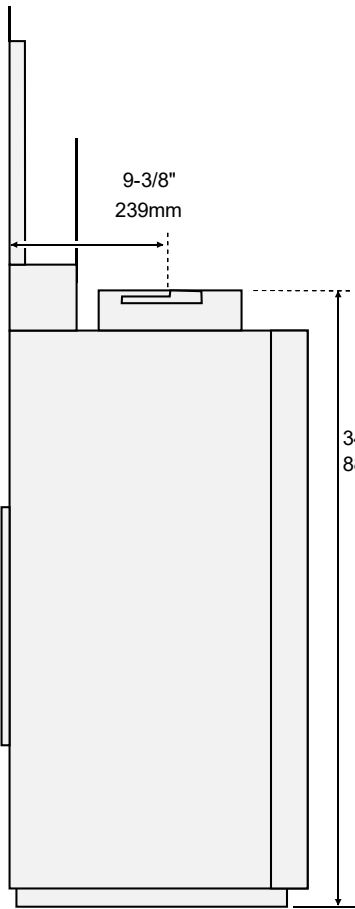
This document is for reference purposes only. **Consult the installation manual BEFORE making installation decisions.**

6015 HO Framing Guide



12521 Harbour Reach Drive
Mukilteo, WA 98275-5458

350 lbs.
156 Kg.



Scan for
Installation Manual

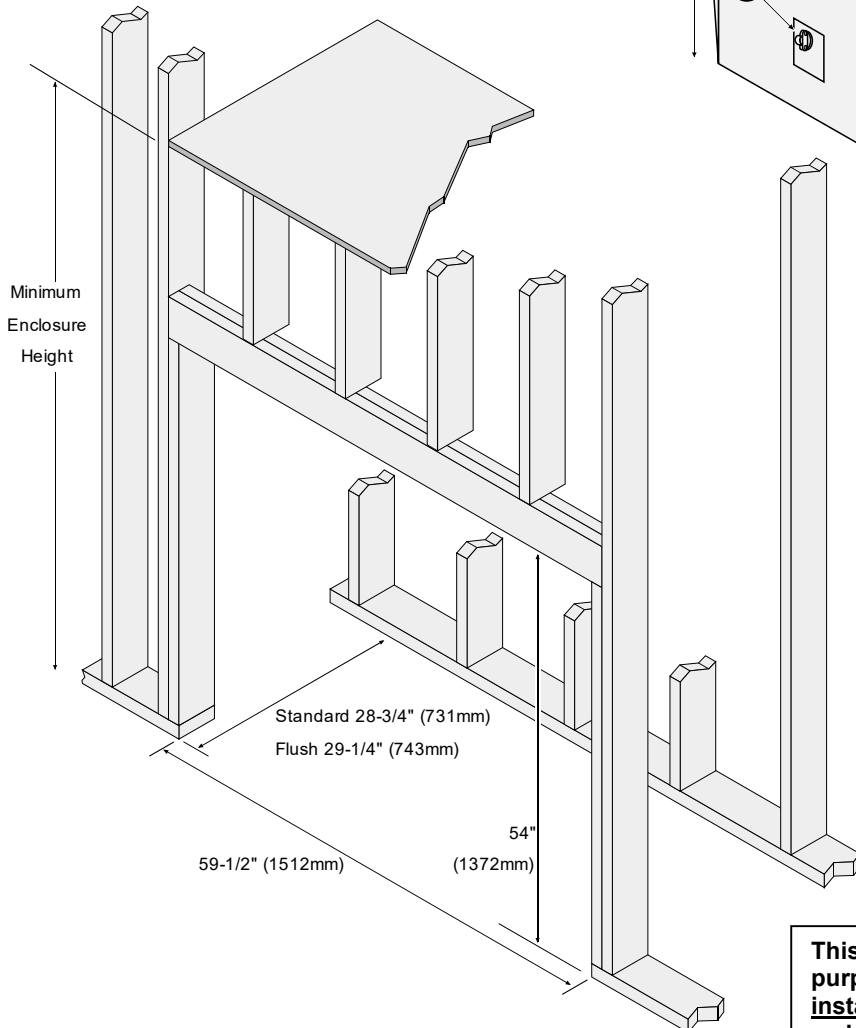
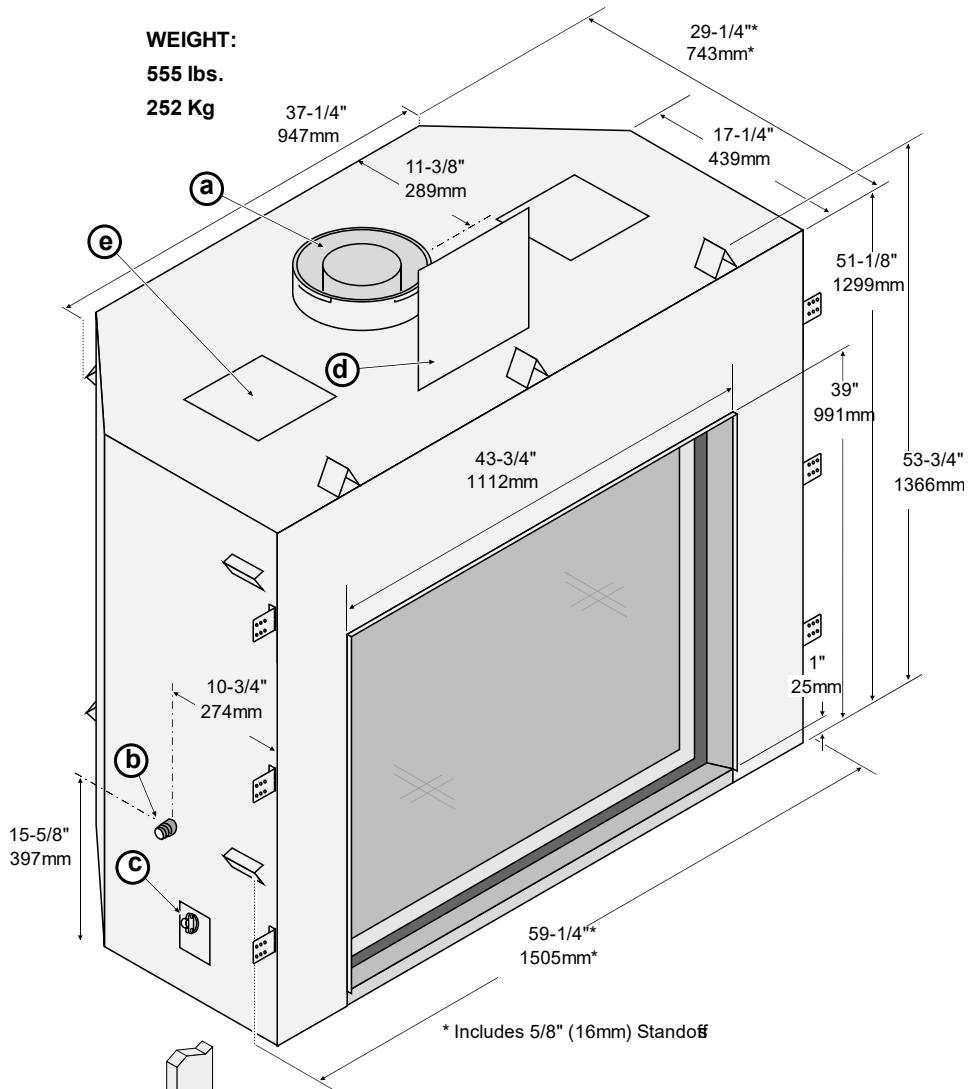
This document is for reference purposes only. **Consult the installation manual BEFORE making installation decisions.**

4237 Clean Face Framing Guide



12521 Harbour Reach Drive
Mukilteo, WA 98275-5458

WEIGHT:
555 lbs.
252 Kg



Minimum Enclosure Height – Minimum Vent Configurations or Any System Height Under 10'

- Minimum enclosure height is 89" (2261mm)

Minimum Enclosure Height – Vent Configurations with System Height 10' or Higher

- Minimum enclosure height is 61" (1550mm)
- Vent must pass vertically through the enclosure before an elbow is placed on the vent.

This document is for reference purposes only. **Consult the installation manual BEFORE making installation decisions.**

Scan for Installation Manual

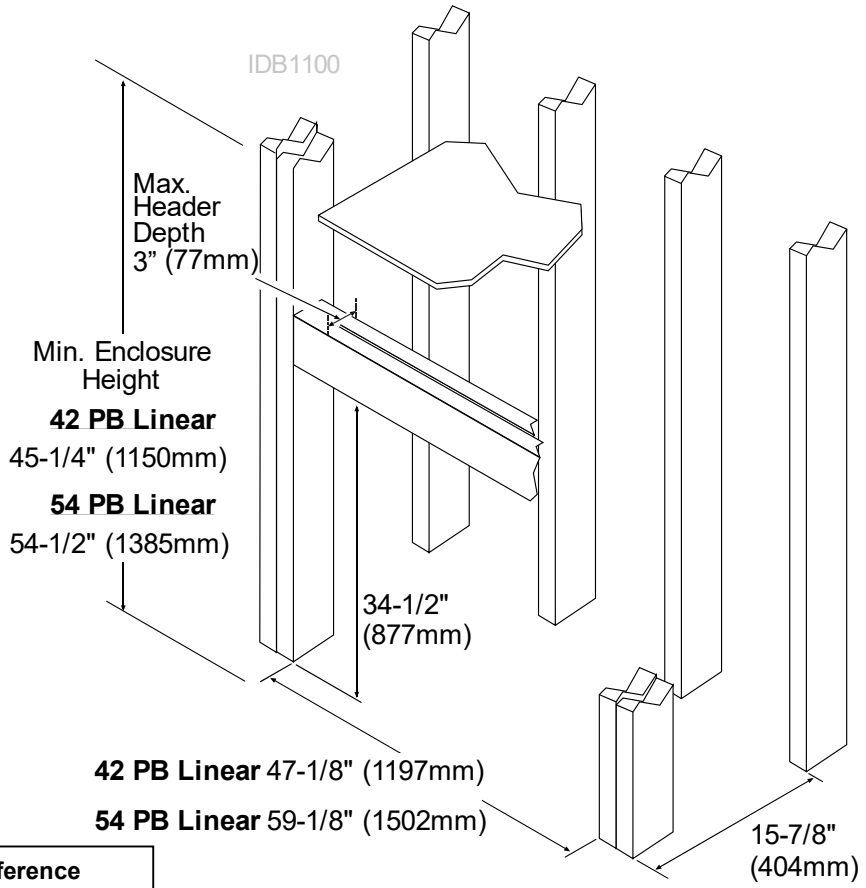
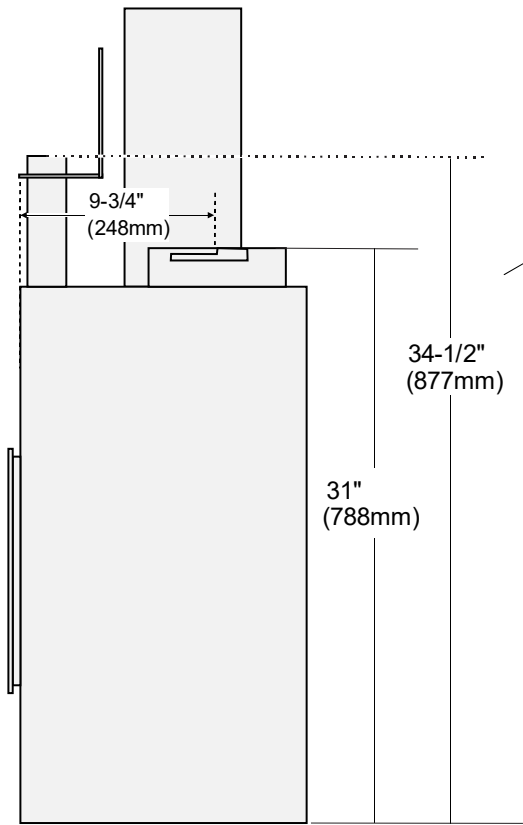
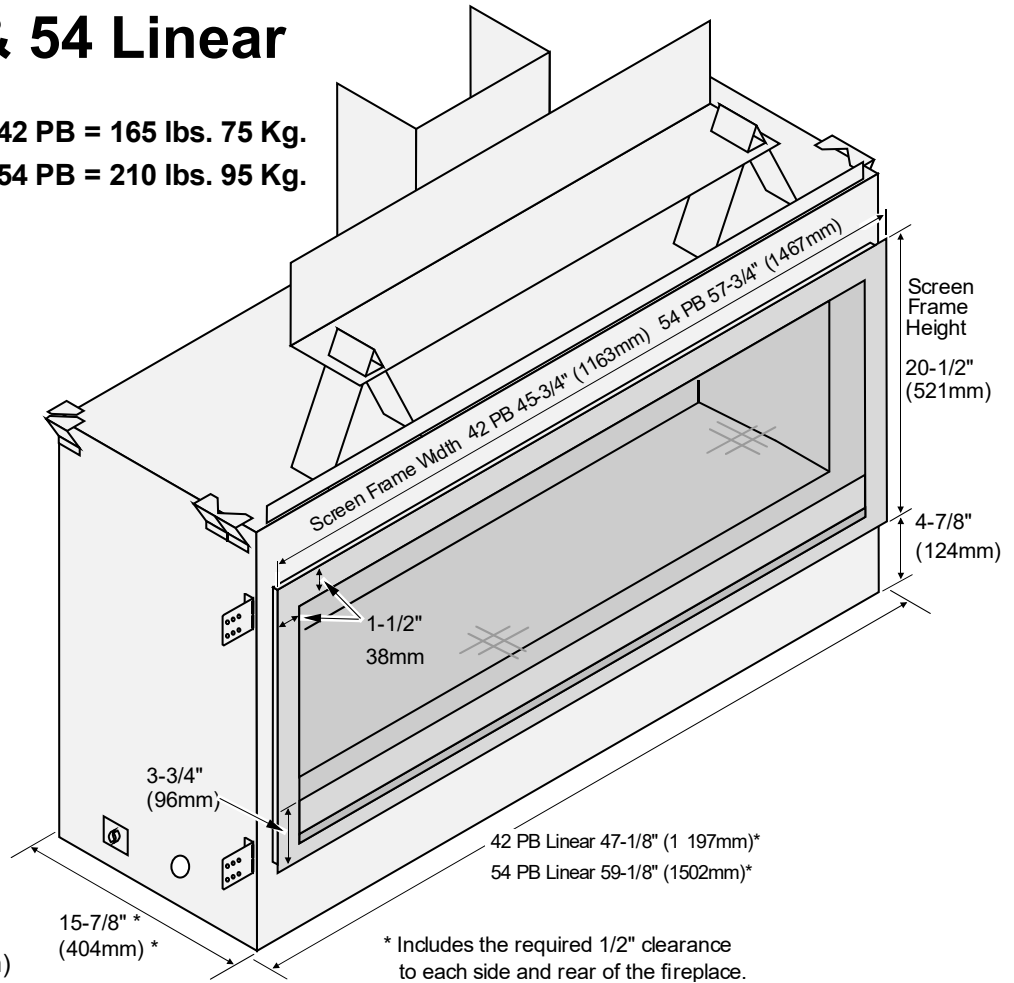
ProBuilder™ 42 & 54 Linear

Framing Guide



12521 Harbour Reach Drive
Mukilteo, WA 98275-5458

42 PB = 165 lbs. 75 Kg.
54 PB = 210 lbs. 95 Kg.



Scan for
Installation Manual

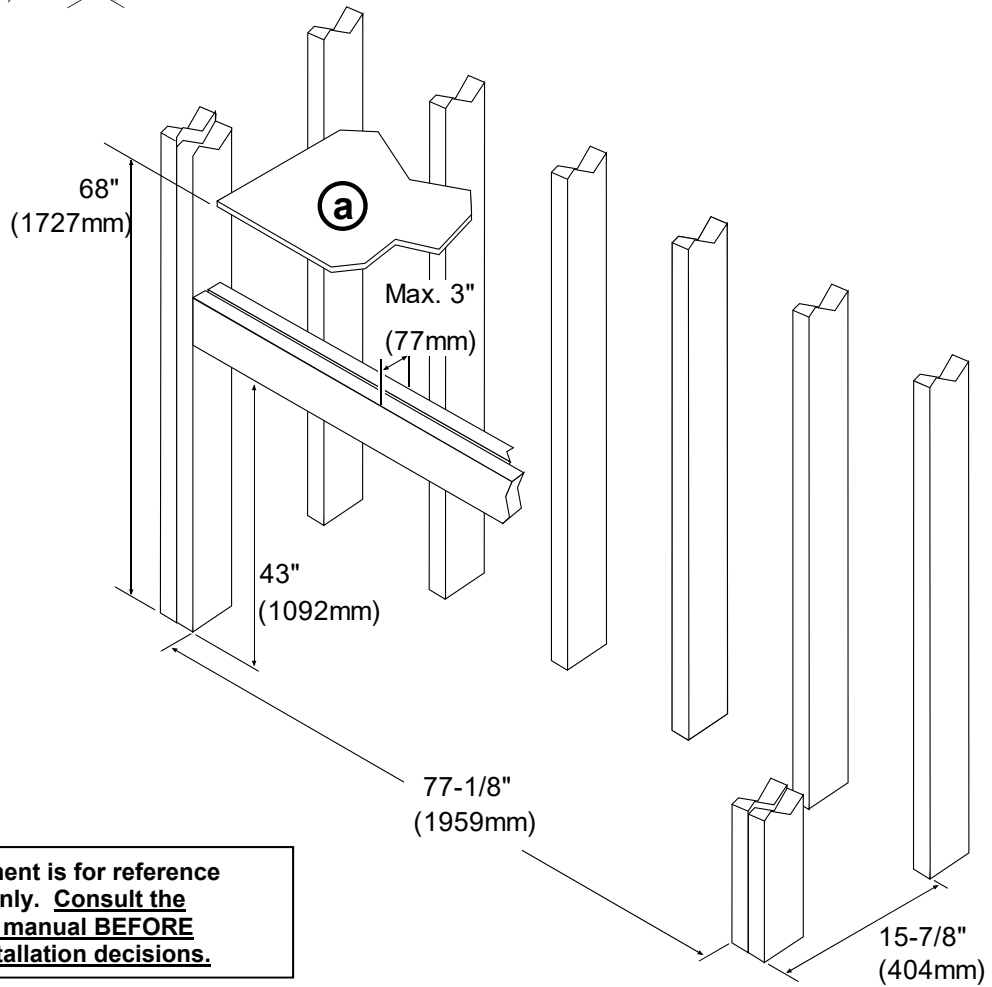
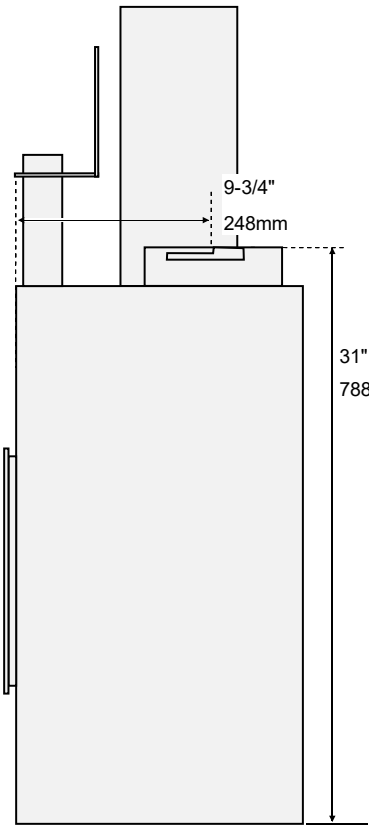
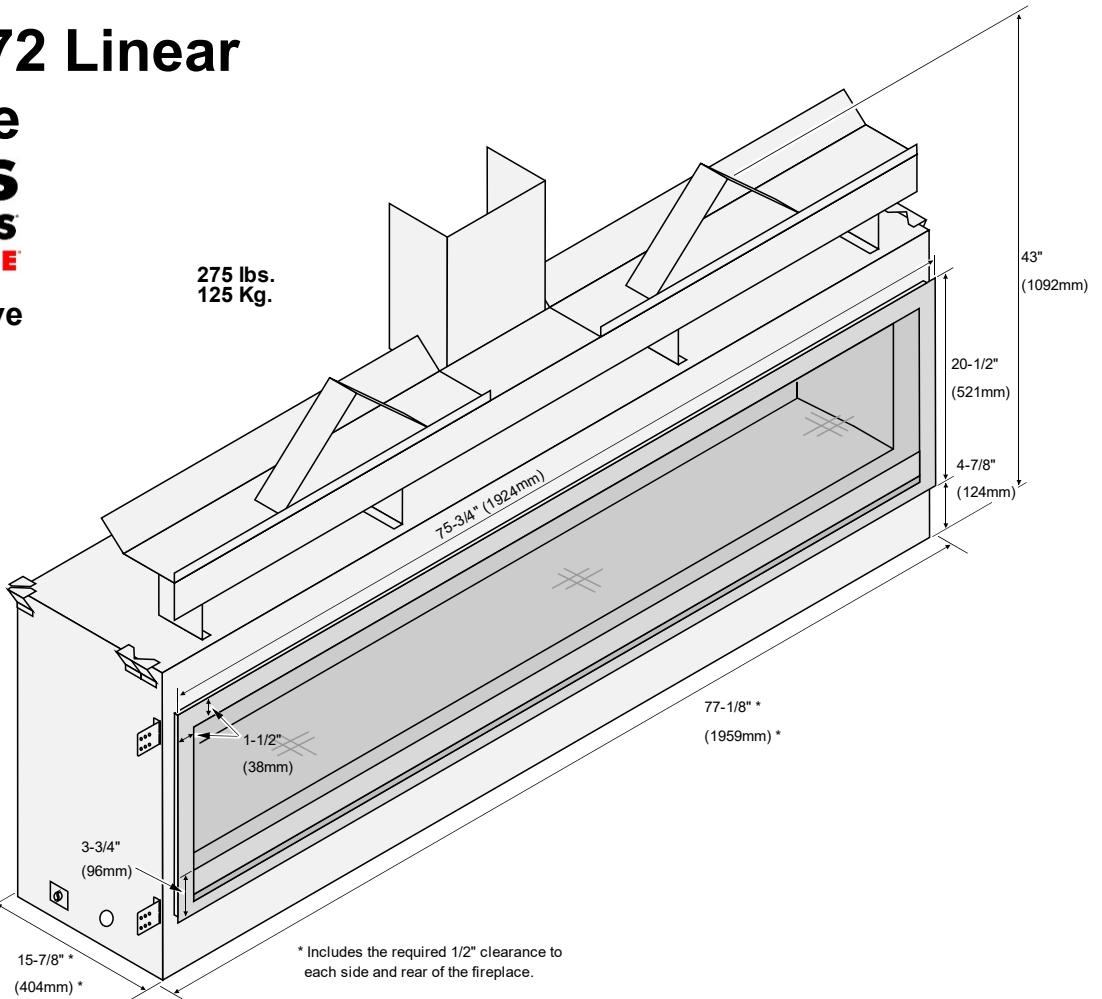
This document is for reference purposes only. Consult the installation manual BEFORE making installation decisions.

ProBuilder™ 72 Linear Framing Guide



12521 Harbour Reach Drive
Mukilteo, WA 98275-5458

275 lbs.
125 Kg.



Scan for
Installation Manual

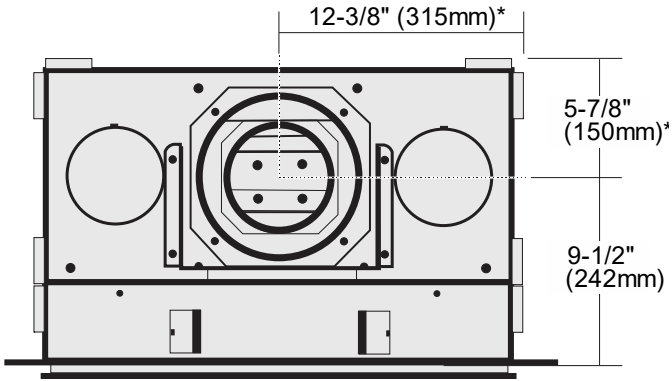
This document is for reference purposes only. **Consult the installation manual BEFORE making installation decisions.**

ProBuilder™ 24 Clean Face Framing Guide

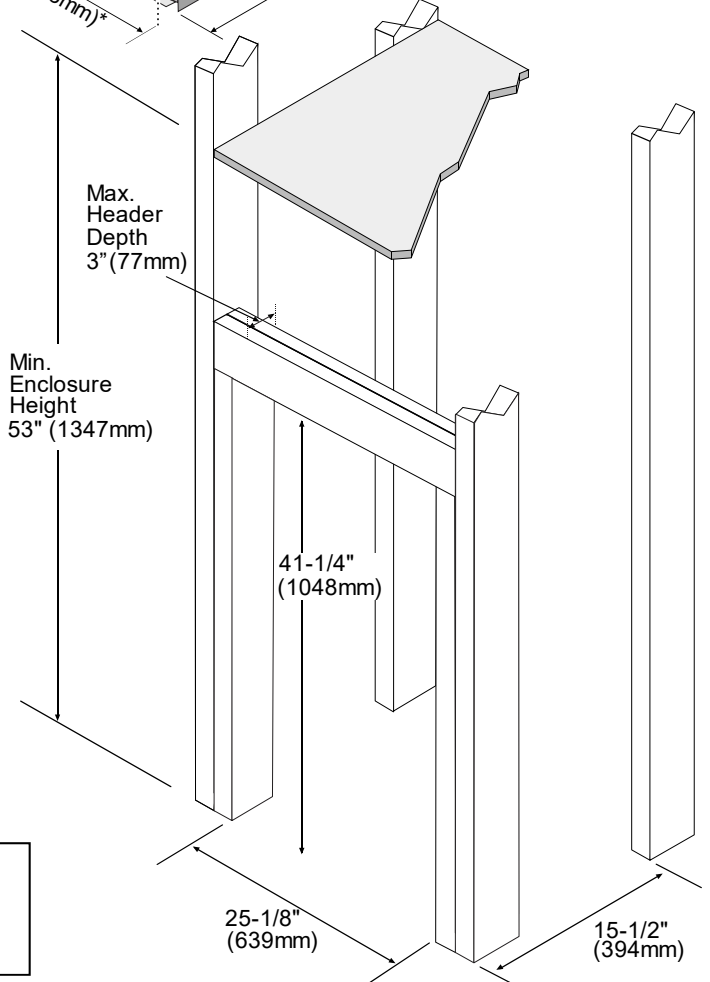
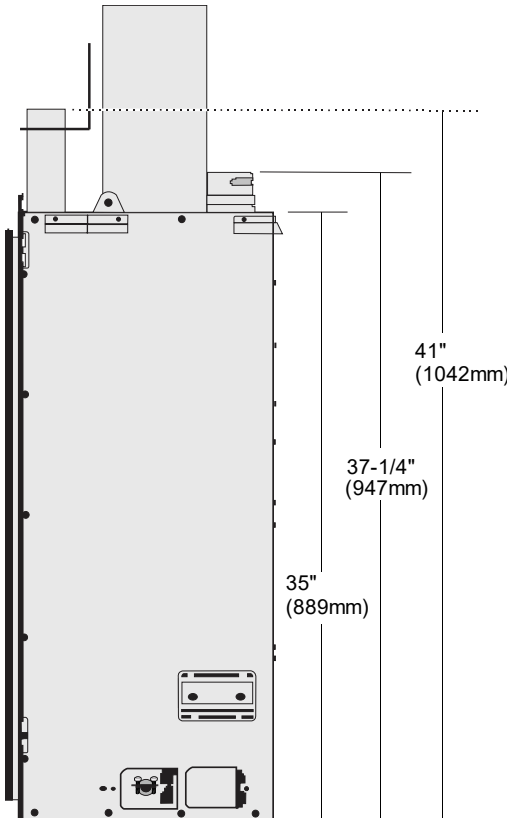
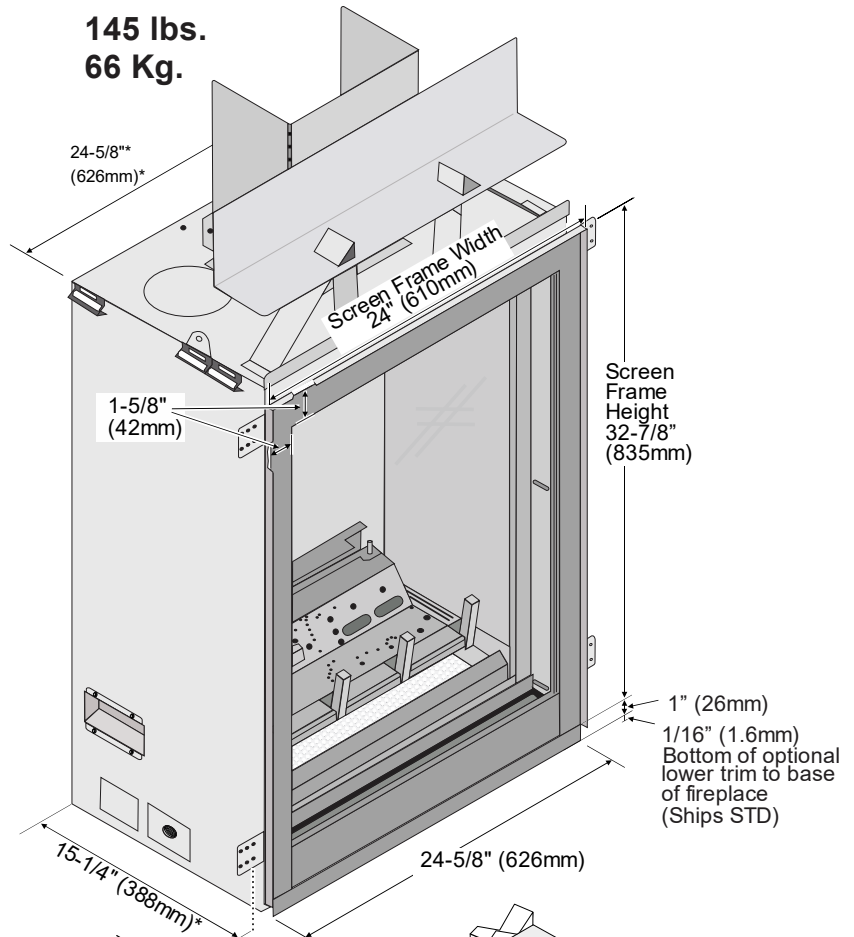


12521 Harbour Reach Drive
Mukilteo, WA 98275-5458

145 lbs.
66 Kg.



*Dimensions Includes the standoffs



Scan for
Installation Manual

This document is for reference purposes only. Consult the installation manual BEFORE making installation decisions.

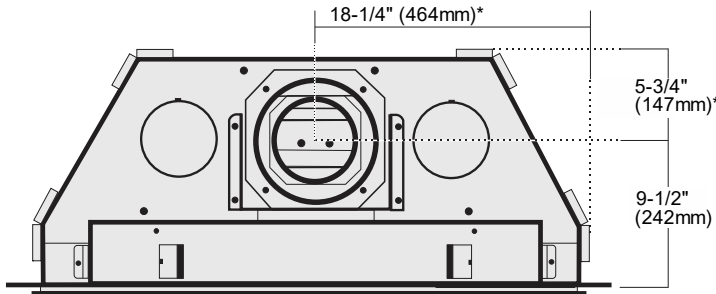
ProBuilder™ 36 Clean Face

Framing Guide

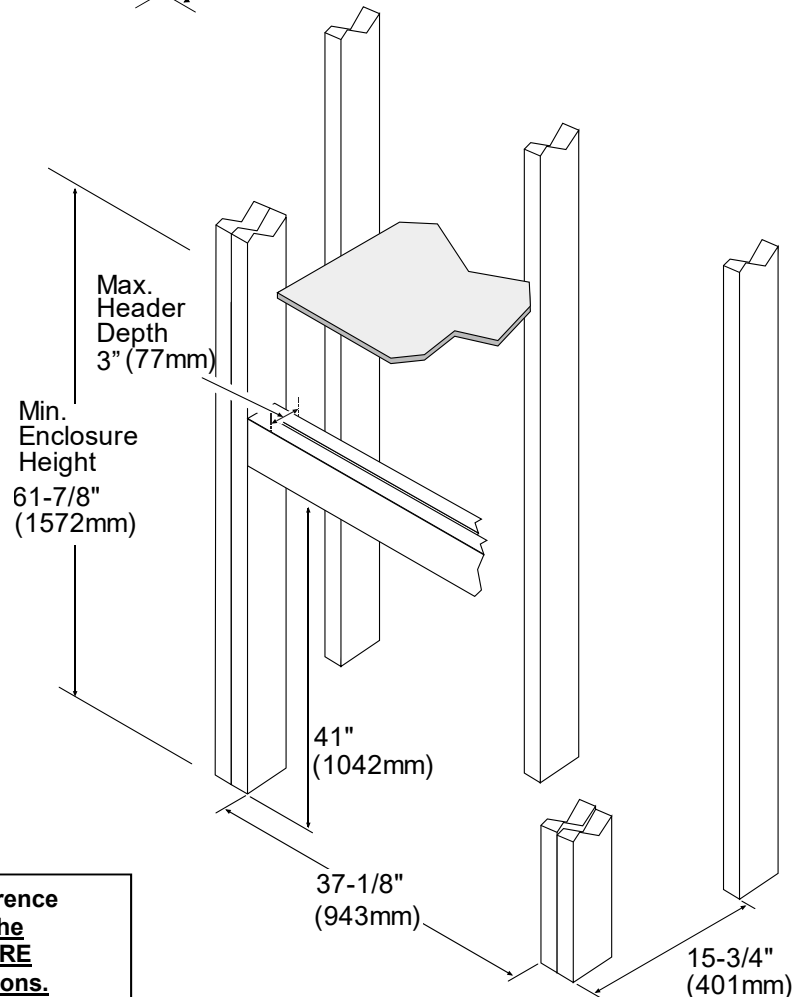
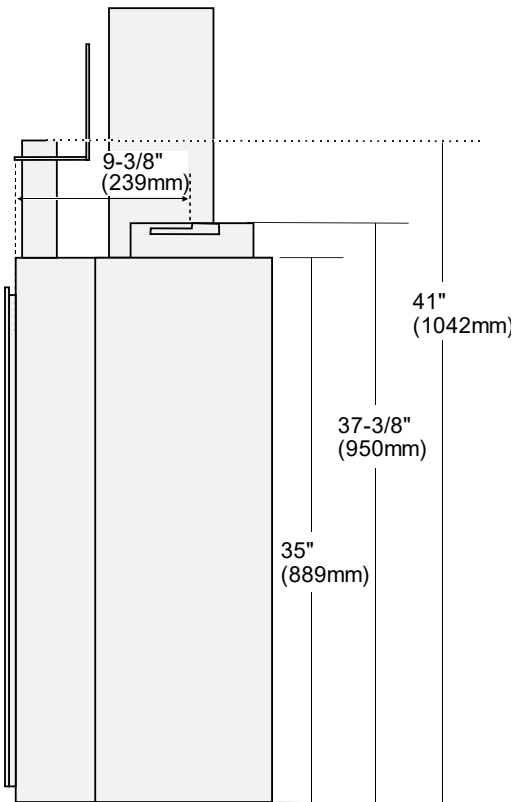
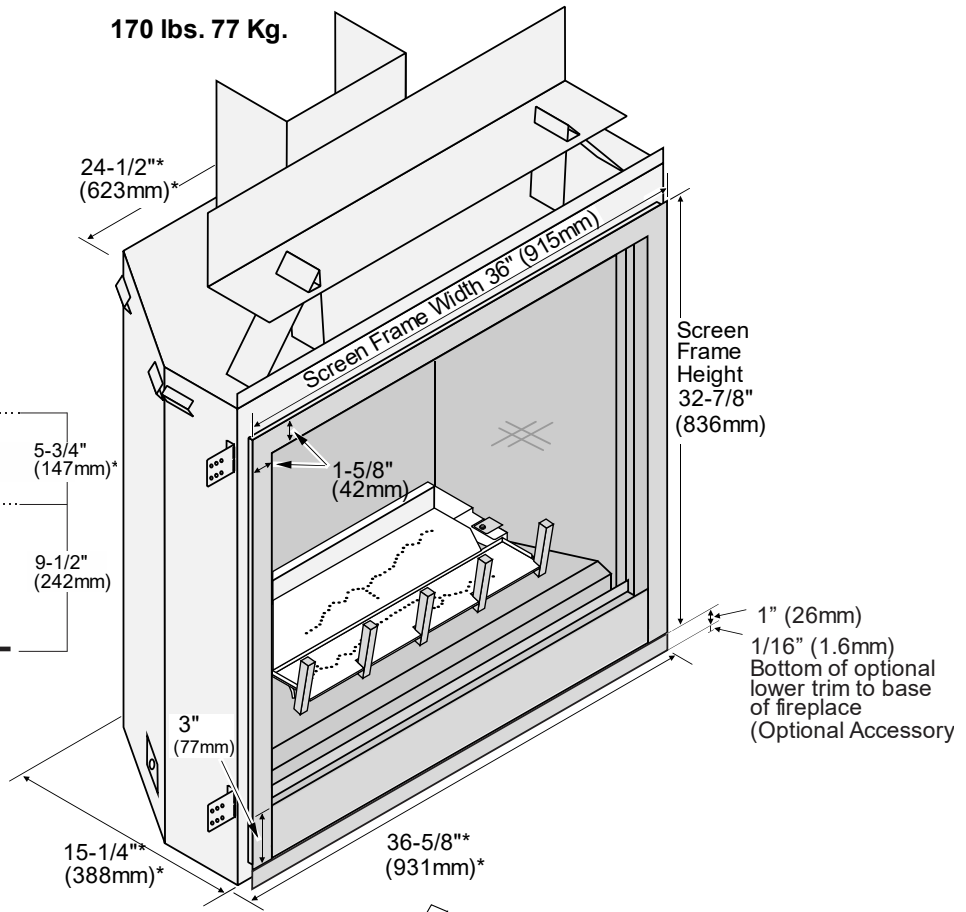
170 lbs. 77 Kg.



12521 Harbour Reach Drive
Mukilteo, WA 98275-5458



*Dimensions Includes the standoffs



Scan for
Installation Manual

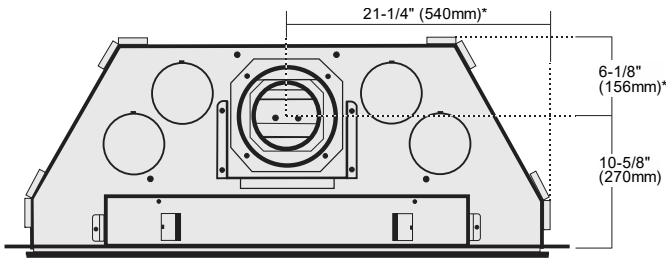
This document is for reference purposes only. Consult the installation manual BEFORE making installation decisions.

ProBuilder™ 42 Clean Face

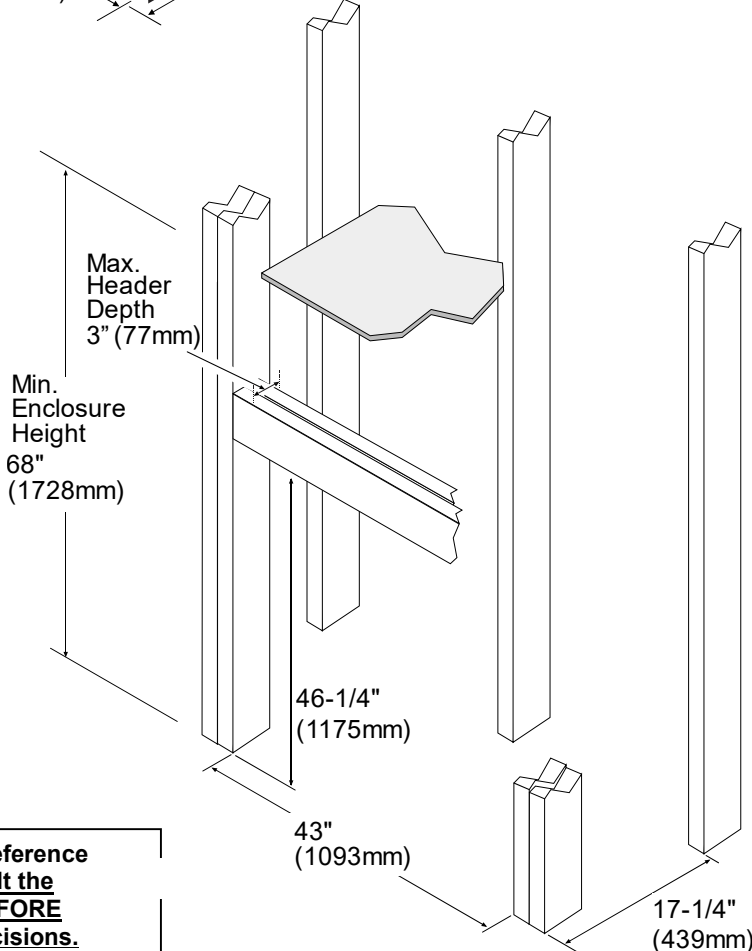
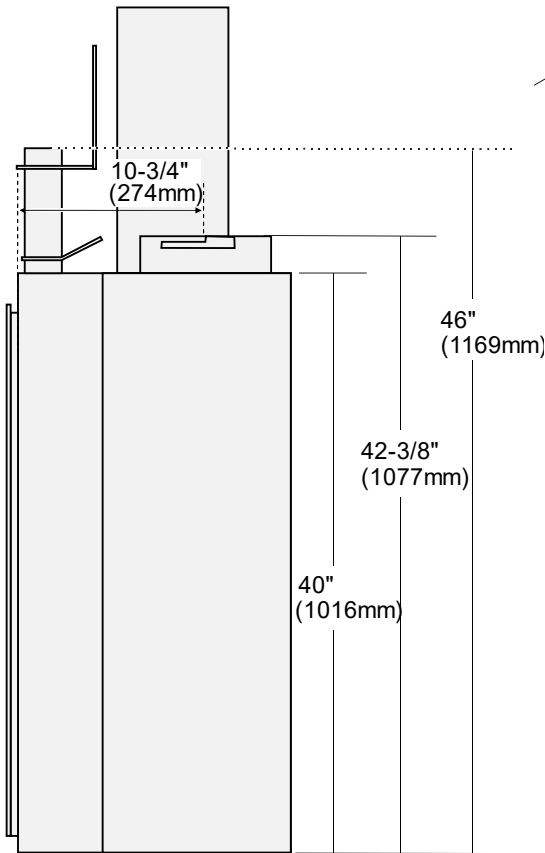
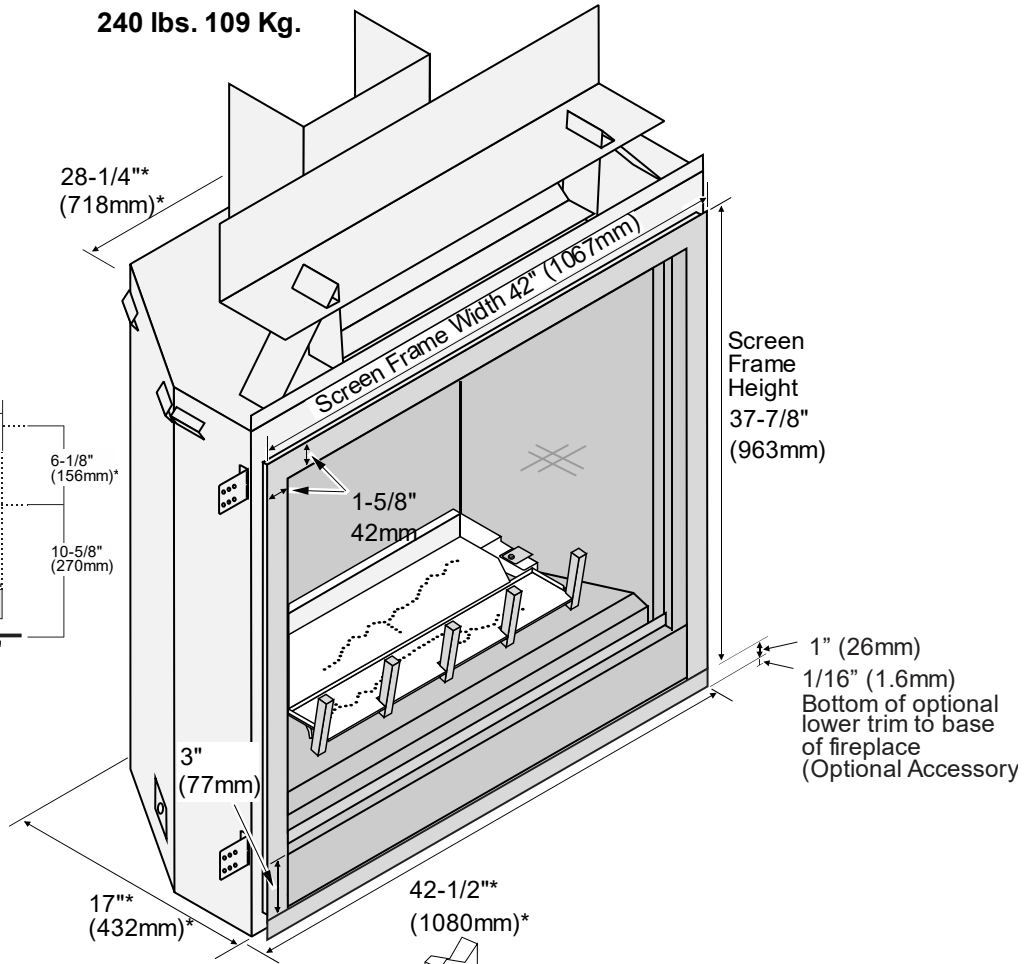
240 lbs. 109 Kg.



12521 Harbour Reach Drive
Mukilteo, WA 98275-5458



*Dimensions Includes the standoffs



**Scan for
Installation Manual**

This document is for reference purposes only. **Consult the installation manual BEFORE making installation decisions.**