

RADIANT PLUS™ MEDIUM GAS BURNING INSERT

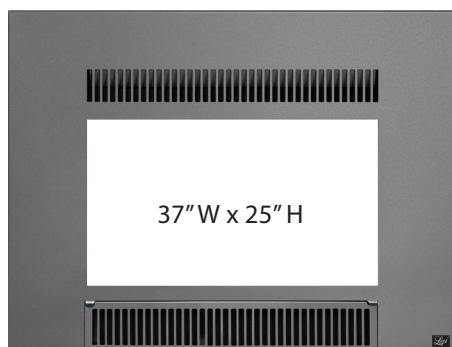


1,250 SQUARE FOOT HEATER

The Radiant Plus™ Medium is great for heating mid-sized homes. This insert is the perfect medium size to install in most metal (zero clearance) and masonry fireplaces. It features a large, beautiful fire viewing area and provides excellent radiant and natural convection heat.

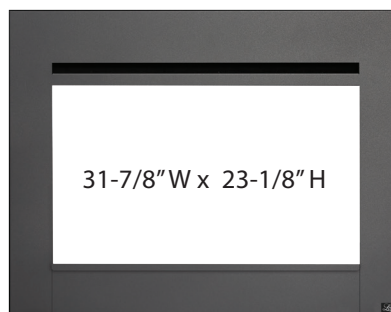
FACE CHOICES

All faces feature a nearly invisible ANSI compliant safety screen.



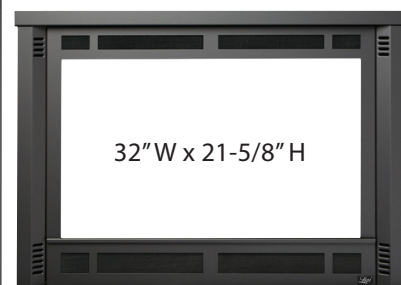
37" W x 25" H

Universal Face™
(Surround panel not required)



31-7/8" W x 23-1/8" H

Times Square™ Face



32" W x 21-5/8" H

Designer™ Face

SPECIFICATIONS

- Heating Capacity*: Up to 1,250 Square Feet
- Maximum BTU/HR Input: 25,000 (NG/LP)
- Minimum BTU/HR Input: 13,000 (NG/LP)
- Steady State Efficiency (High):
 - MV Model Up To: 86.98% (NG), 89.03% (LP)
 - GSB Model Up To: 86.98% (NG), 89.03% (LP)
- P4 Canadian Efficiency:
 - MV Model Up To: 74.15% (NG), 75.07% (LP)
 - GSB Model Up To: 75.11% (NG), 76.05% (LP)
- AFUE Efficiency:
 - MV Model Up To: 80.3% (NG), 79.5% (LP)
 - GSB Model Up To: 80.3% (NG), 79.5% (LP)
- Glass Area: 24-1/4" W x 12-3/4" H (309 Sq. In.)

* Heating Capacity can be affected by negative pressure in the home and by prevailing atmospheric conditions. Contact local building or fire officials about restrictions and installation requirements in your area.

OPTIONS

- Three optional designer faces. All faces feature a nearly invisible ANSI compliant safety screen.
- Choice of one piece or custom fit panels.
- Remote Control Thermostat
- Optional 100 CFM "Set It and Forget It" Convection Fan; automatically turns on and off to heat your room at your preferred heat comfort level.

MINIMUM FIREPLACE REQUIREMENTS*

		My Fireplace Dimensions
A - Height (Front)	19-3/4" (502mm)	_____
B - Width (Front)	27" (686mm)	_____
B - Width (Back)	17-1/4" (438mm)	_____
C - Depth	15" (381mm)	_____
D - Hearth	Not Required	_____
E - The gas line should be installed prior to installing the heater.		

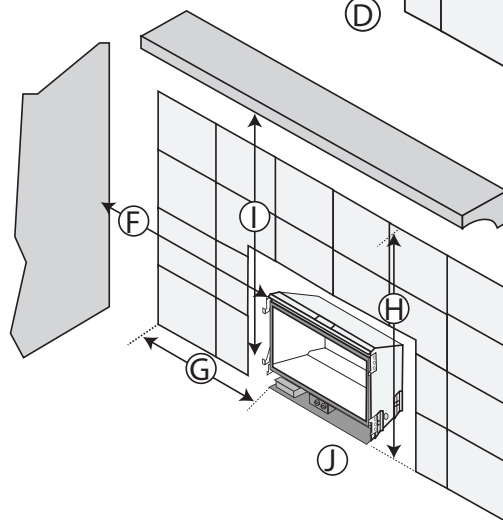
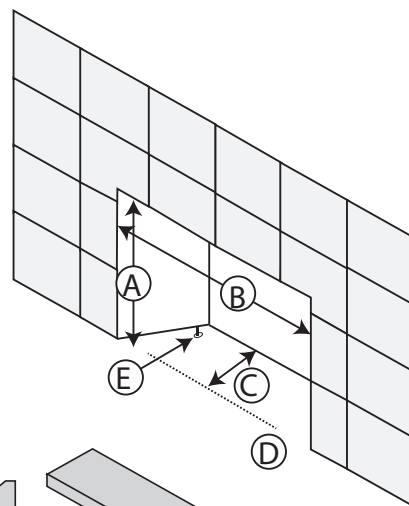
CLEARANCES TO COMBUSTIBLES & HEARTH PROTECTION

F - Sidewall to Insert	5" (127mm)
G - Side Facing to Insert	5" (127mm)
H - Top Facing to Insert	33" (838mm)
I - Mantel, 5"- 12" Depth	34" (864mm)
Mantel, 0"- 4" Depth	33" (838mm)
J - Hearth Extension	Not Required

* Heating Capacity can be affected by negative pressure in the home and by prevailing atmospheric conditions. Contact local building or fire officials about restrictions and installation requirements in your area.

FEATURES YOU'RE GOING TO LOVE

- The Dancing-Fyre™ burner and Classic Log Set are incredibly realistic and mimic an actual wood burning fire, right down to the flame pattern, highly detailed logs and glowing ember bed.
- These inserts feature a direct vent chimney system. All combustion air is drawn from outside your home, and all combustion byproducts are then vented out of your home through a new chimney liner.
- Heavy duty steel (16 & 18 gauge) construction offers years and years of dependable service.
- High-temperature ceramic glass.
- Easy to operate controls.
- Offered as a choice of either a Standing Pilot control or a GreenSmart® Basic (IPI) control system. Ask your Authorized Lopi® Dealer for a demonstration of both systems to determine which best suits you.
- 50% flame and heat turndown.
- Radiant Plus™ Inserts continue to work if you lose power to your home.



Manufactured in
Mukilteo, WA
By Travis Industries
© 08/2021